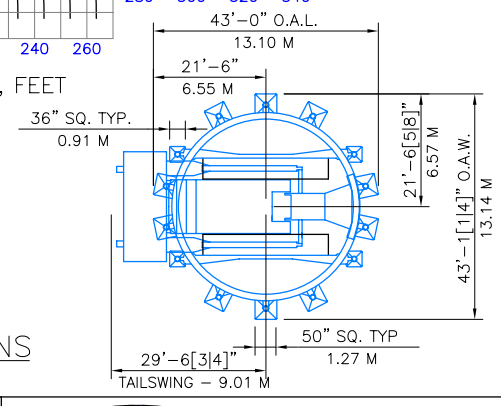


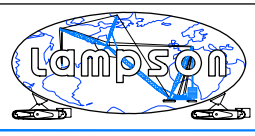
RANGE DIAGRAM

OUTLINE DIMENSIONS



**NOTICE:**  
 This drawing is intended only as a guide in job planning. When planning a lift contact LAMPSON INTERNATIONAL L.L.C. for determination of crane configuration and issuance of associated capacity charts suitable for the execution of your lift.

|   |                       |
|---|-----------------------|
| Title:<br>MANITOWOC 4100 S1 RINGER S3<br>RANGE DIAGRAM AND OUTLINE DIMENSIONS |                       |
| Scale:<br>1 : 800   | Dwg. No.:<br>4100RING |



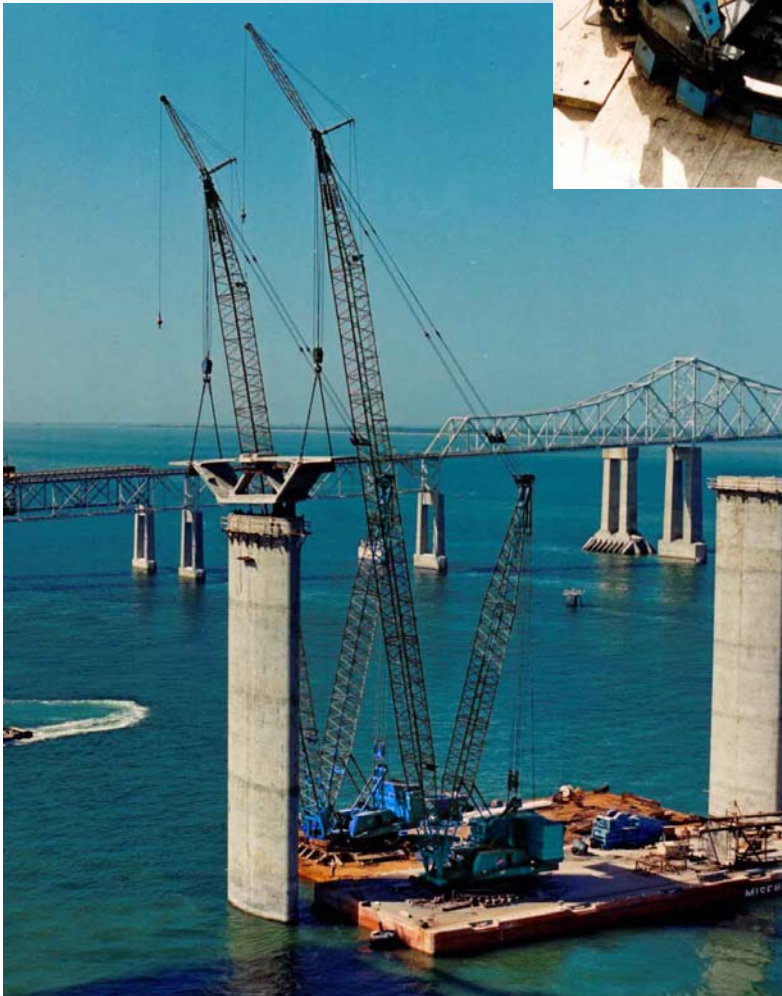
**LAMPSON INTERNATIONAL LLC.**

## Lampson Manitowoc 4100W Ringer Crane

This crane has been updated like the M4100 crawler and M4100 tower crane.

This means it is capable of lifting safer and being more efficient when assembling.

This crane can not fully be assembled though like other millennium cranes.



**Right:** The Manitowoc 4100W ringer working at Western Australia

**Beside:** Two M4100W ringer placing blocks on top of piers