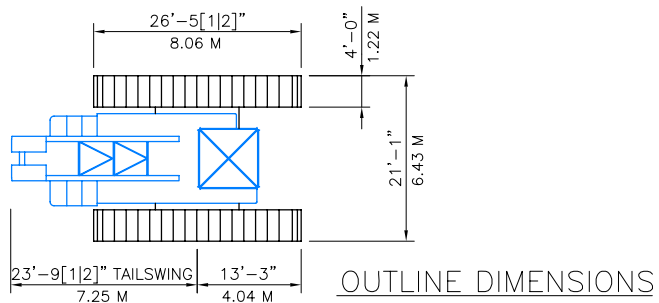


DISTANCE ABOVE GROUND, METRES

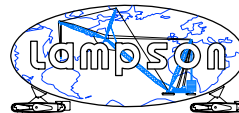
RANGE DIAGRAM



OUTLINE DIMENSIONS

NOTICE:
This drawing is intended only as a guide in job planning. When planning a lift contact LAMPSON INTERNATIONAL L.L.C. for determination of crane configuration and issuance of associated capacity charts suitable for the execution of your lift.

Title: MANITOWOC 4100 S1 TOWER CRANE
RANGE DIAGRAM AND OUTLINE DIMENSIONS
Scale: 1 : 800
Drg. No.: 4100TOWER



LAMPSON
INTERNATIONAL L.L.C.

Lampson Manitowoc 4100W Tower Crane

Lampson has the ability to quickly transport and adapt their range of cranes to any required situation.

The Manitowoc 4100W Tower Crane with the ability to walk was best suited for the Kuching State Mosque.

Left: Minaret erection at State Mosque Kuching, Sarawak - East Malaysia.



Maximum tower and boom combination provide a working radius capability of 51.8m.

This M4100 tower crane has also been updated like the 4100 crawler.

Right: The Manitowoc 4100W Tower working at Stadium Australia, Sydney, NSW, Australia

