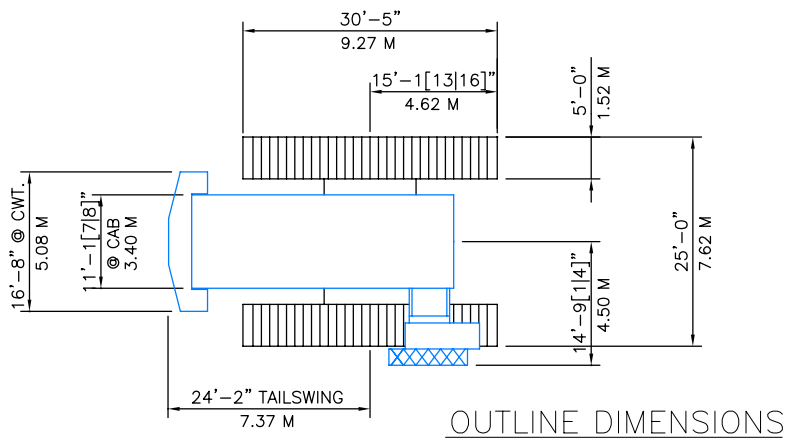


RANGE DIAGRAM

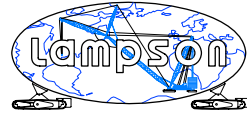


NOTICE:
This drawing is intended only as a guide in job planning. When planning a lift contact LAMPSON INTERNATIONAL L.L.C. for determination of crane configuration and issuance of associated capacity charts suitable for the execution of your lift.

Title: MANITOWOC 4600W LIFT CRANE
RANGE DIAGRAM AND OUTLINE DIMENSIONS

Scale: 1 : 750

Drq. No.: 4600W



LAMPSON INTERNATIONAL L.L.C.

Lampson Manitowoc 4600W Crawler Crane

The 4600 is a conventional crawler crane however it can be configured into Tower, Ringer and into Transi-Lift. It has the capacity to lift 317.5Te. The main boom has a max length of 94.5m and has the option of a jib of 24.4m.

This crane model has proven to be the backbone of the heavy lift crane industry and continues to provide reliable lifting services in current and new areas of construction.



Above: A M4600 crawler crane places the blades onto the nacelle of a wind tower generator.

Beside: The M4600 is the assist crane in a dual lift to upright an absorber column.