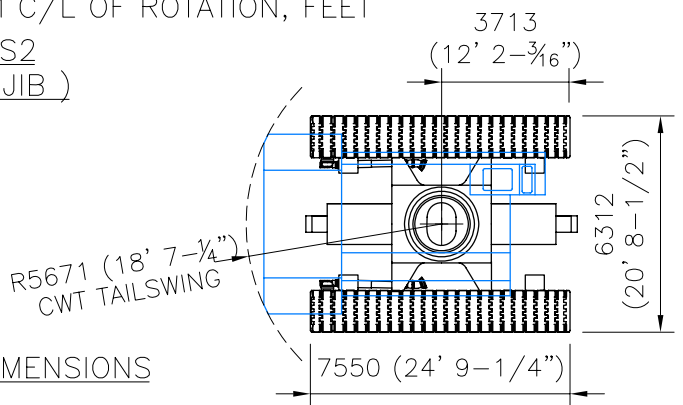


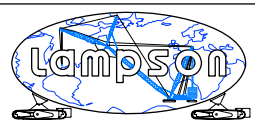
Q OF ROTATION DISTANCE FROM C/L OF ROTATION, FEET  
 RANGE DIAGRAM – 777 S2  
 ( #78 BOOM & #134 FIXED JIB )



OUTLINE DIMENSIONS

**NOTICE:**  
 This drawing is intended only as a guide in job planning. When planning a lift contact LAMPSON INTERNATIONAL L.L.C. for determination of crane configuration and issuance of associated capacity charts suitable for the execution of your lift.

Title: MANITOWOC 777 S2 LIFT CRANE RANGE DIAGRAM AND OUTLINE DIMENSIONS	
Scale: 1 : 600	Dwg. No.: 777 S2-01



**LAMPSON INTERNATIONAL L.L.C.**

## Manitowoc M777 Crawler

The M777 can lift 181 Te at 3.4m and 64.5 Te at 10.0m. Max boom length is 82.3m.

The crane can self erect and generally transported in 7 truck loads.

The Crane can be assembled ready for work in a matter of hours.

