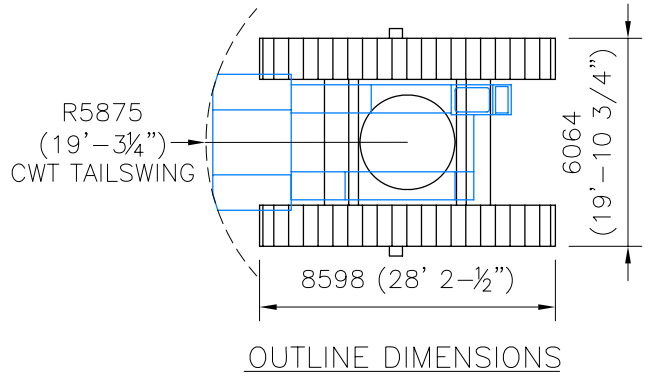


RANGE DIAGRAM – 888 S2  
( #22C BOOM & #123 FIXED JIB )



**NOTICE:**  
This drawing is intended only as a guide in job planning. When planning a lift contact LAMPSON INTERNATIONAL L.L.C. for determination of crane configuration and issuance of associated capacity charts suitable for the execution of your lift.

Title: MANITOWOC 888 S2 LIFT CRANE RANGE DIAGRAM AND OUTLINE DIMENSIONS	
Scale: 1 : 600	Dwg. No.: 888 S2-01

**LAMPSON  
INTERNATIONAL L.L.C.**

## Manitowoc M888S2 Crawler

The M888 can lift 200Te at 4.9m and 95.0 Te at 10m.

It has a maximum boom length of 88.4m and also has attachments of fixed and luffing jib. Other attachments include Ringer, which increases the lifting capacity to 600 tonnes.



*Top right: M888 showing its self unloading features.*

*Right: M888 in a dual lift the M18000.*

*Middle Right: The M888, a 200 tonne capacity crane, is truly a versatile machine.*

*Above: The Ringer on the M888 which greatly increases its capacity to 600 tonnes.*

