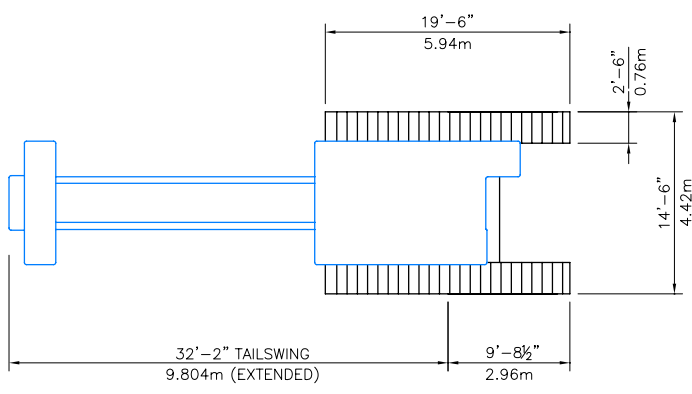


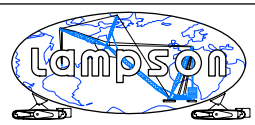
RANGE DIAGRAM



OUTLINE DIMENSIONS

**NOTICE:**  
 This drawing is intended only as a guide in job planning. When planning a lift contact LAMPSON INTERNATIONAL L.L.C. for determination of crane configuration and issuance of associated capacity charts suitable for the execution of your lift.

Title: MANITOWOC M-50W LIFT CRANE  
 RANGE DIAGRAM AND OUTLINE DIMENSIONS  
 Scale: 1 : 500  
 Drg. No.: M-50W



**LAMPSON**  
 INTERNATIONAL L.L.C.

## Manitowoc M50 Crawler Crane

The “X-Spander” attachment is a telescoping beam that allows the crane’s 1st counterweight to be extended rearward. This can increase the crane’s capacity by as much as 100%, while maintaining the crane’s ability to travel & swing with & without load.



**Above:** The M50 with “X-Spander” attachment during pre-shipment tests at Lampson’s Toronto facility, NSW.



**Above:** The M50 working on a mine site

**Below:** M50 preparing to be shipped out

