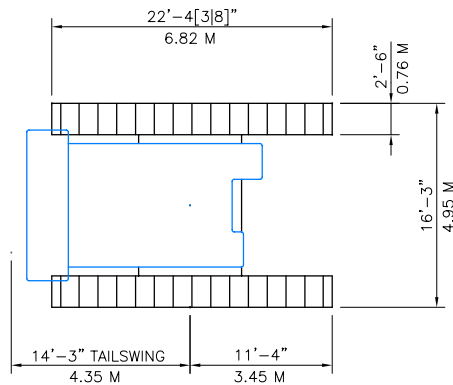


RANGE DIAGRAM



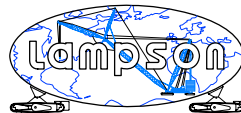
OUTLINE DIMENSIONS

NOTICE:
This drawing is intended only as a guide in job planning. When planning a lift contact LAMPSON INTERNATIONAL L.L.C. for determination of crane configuration and issuance of associated capacity charts suitable for the execution of your lift.

Title: MANITOWOC M-80W LIFT CRANE
RANGE DIAGRAM AND OUTLINE DIMENSIONS

Scale: 1 : 500

Drw. No.: M-80W



LAMPSON INTERNATIONAL L.L.C.

Manitowoc M80 Crawler Crane

The M80 is a good crane for helping of erecting larger cranes. It is self erecting so isolated areas won't need to hire in cranes from far distances.



Above and Beside: The M80 lift trailers and assists in the assembling of larger cranes.

