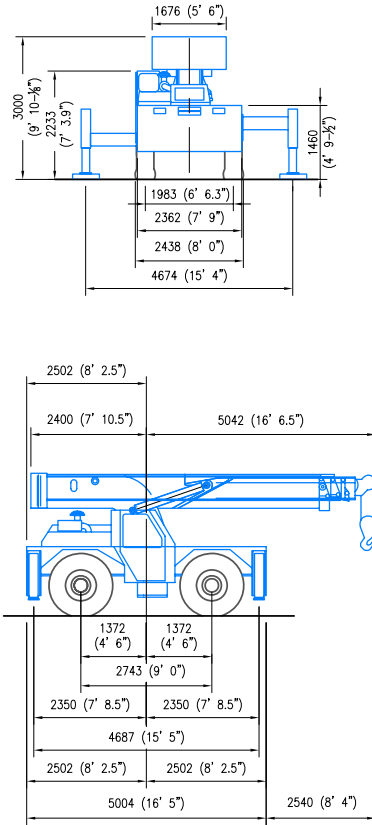
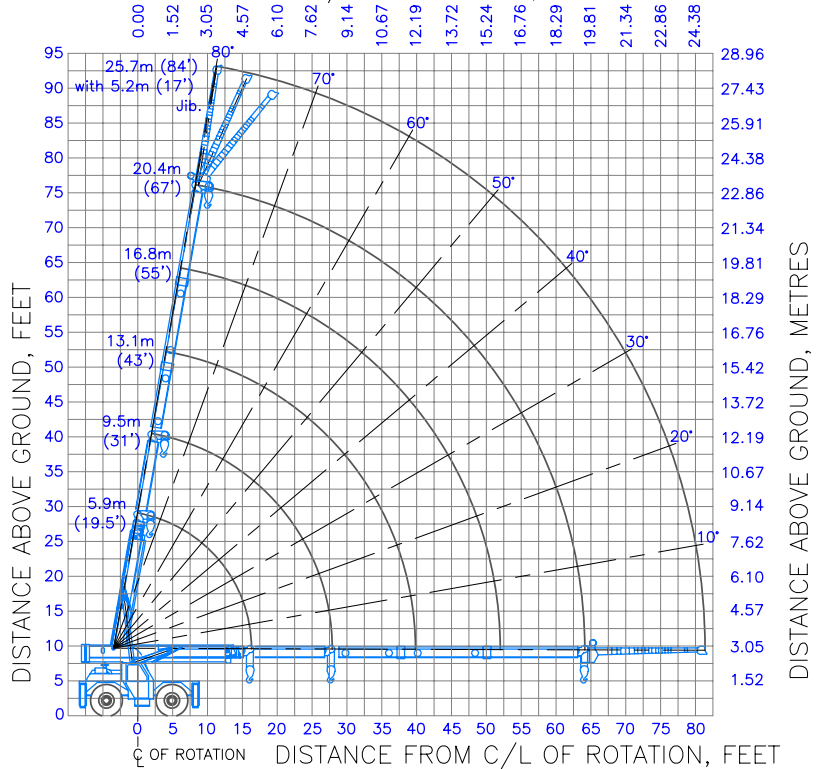


OUTLINE DIMENSIONS

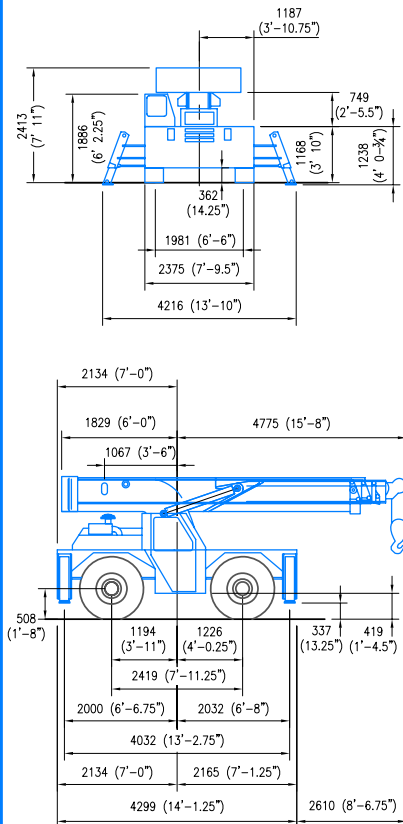


DISTANCE FROM C/L OF ROTATION, METRES

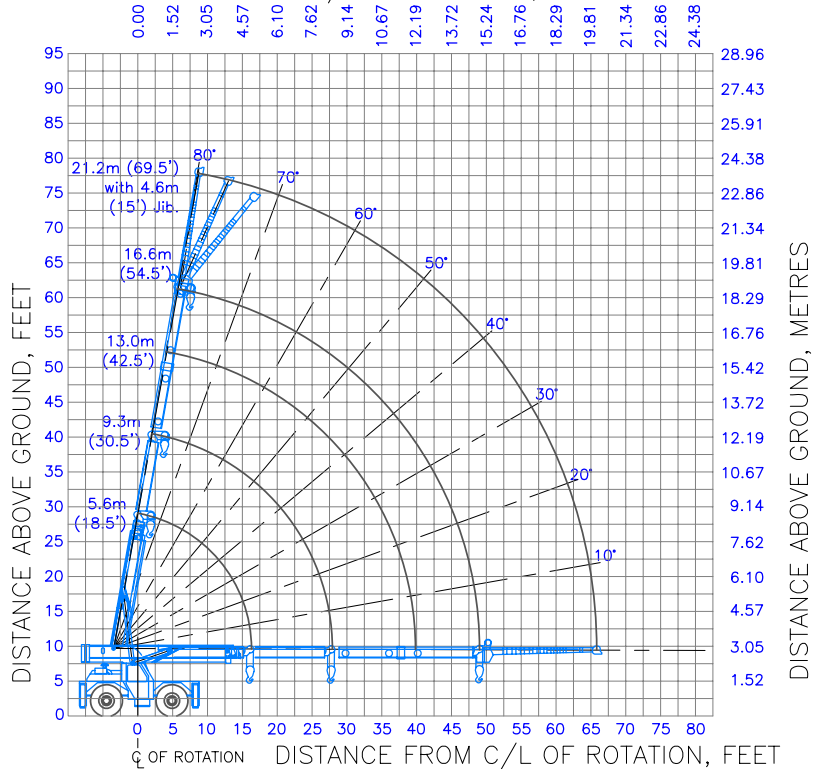


**RANGE DIAGRAM – YB7720/XL
(5 SECTION BOOM) TRACTOR CRANE**

OUTLINE DIMENSIONS



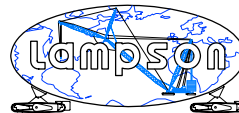
DISTANCE FROM C/L OF ROTATION, METRES



RANGE DIAGRAM – YB5518 TRACTOR CRANE

NOTICE:
This drawing is intended only as a guide in job planning. When planning a lift contact LAMPSON INTERNATIONAL for determination of crane configuration and issuance of associated capacity charts suitable for the execution of your lift.

Title: YB7720/XL & YB5518 CRANES
RANGE DIAGRAM AND OUTLINE DIMENSIONS
Scale: N.T.S. Dwg. No.: YB7720/XL



**LAMPSON
INTERNATIONAL LLC.**

Grove YB5518
Hydraulic Crane

Grove YB7720XL
Hydraulic Crane

