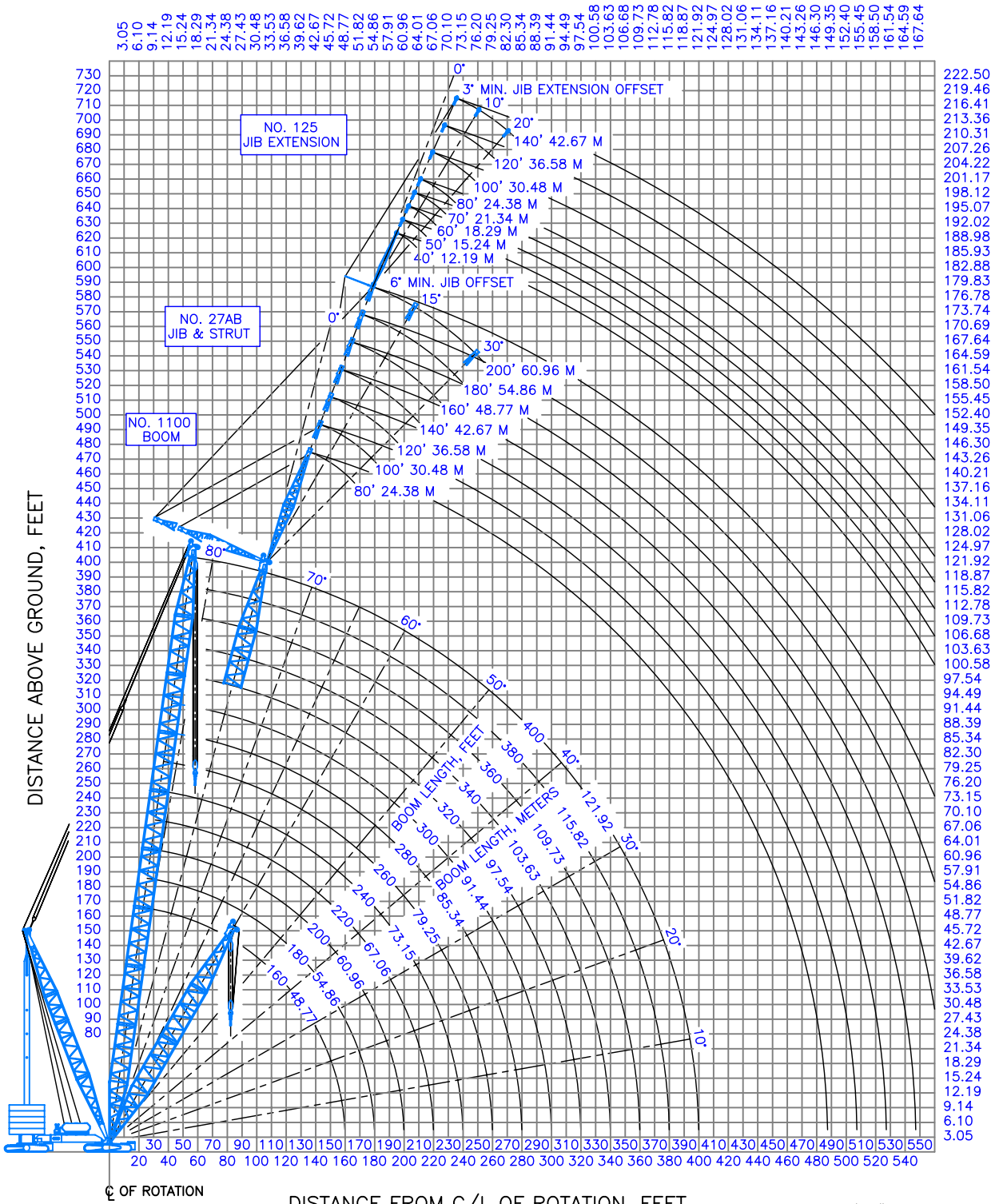
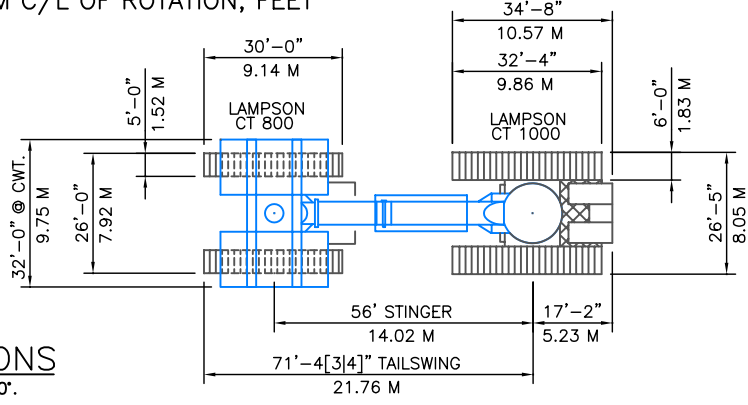


DISTANCE FROM C/L OF ROTATION, METRES



RANGE DIAGRAM

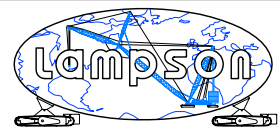
DISTANCE FROM C/L OF ROTATION, FEET



OUTLINE DIMENSIONS  
NOTE: CRAWLERS ROTATE THRU 360°.

**NOTICE:**  
This drawing is intended only as a guide in job planning. When planning a lift contact LAMPSON INTERNATIONAL L.L.C. for determination of crane configuration and issuance of associated capacity charts suitable for the execution of your lift.

Title: LTL-1100 TRANSI-LIFT CRANE  
RANGE DIAGRAM AND OUTLINE DIMENSIONS  
Scale: 1 : 1250  
Drg. No.: LTL-1100



LAMPSON INTERNATIONAL L.L.C.