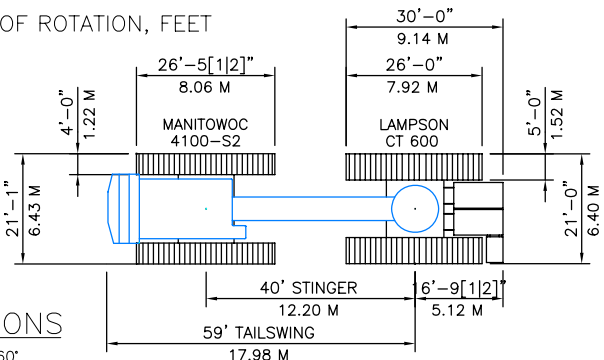


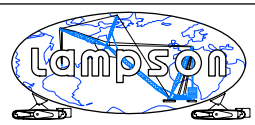
RANGE DIAGRAM



OUTLINE DIMENSIONS  
NOTE: CRAWLERS ROTATE THRU 360°.

**NOTICE:**  
This drawing is intended only as a guide in job planning. When planning a lift contact LAMPSON INTERNATIONAL L.L.C. for determination of crane configuration and issuance of associated capacity charts suitable for the execution of your lift.

Title: LTL-350 TRANSI-LIFT CRANE  
RANGE DIAGRAM AND OUTLINE DIMENSIONS  
Scale: 1 : 800  
Drg. No.: LTL-350



**LAMPSON INTERNATIONAL L.L.C.**

## Lampson LTL-350 Transi-Lift Crawler Crane

The Lampson LTL-350 is the smallest of the transi-lifts. It has a capacity of 350 Te and like the LTL-4600QC it has a Manitowoc crane attached to the rear, the Manitowoc 4100 crane.



*Above: LTL-350 upended and now setting a Light Kero Extractor Vessel in Alaska.*

*Top Right: The LTL-350 assembling the arm of a Marion 8100 dragline.*

*Right: The Transi-lift 350 lifts a control deck across a pipe rack onto supports. Modular construction can reduce costs and save time when compared to piece building on site.*

