

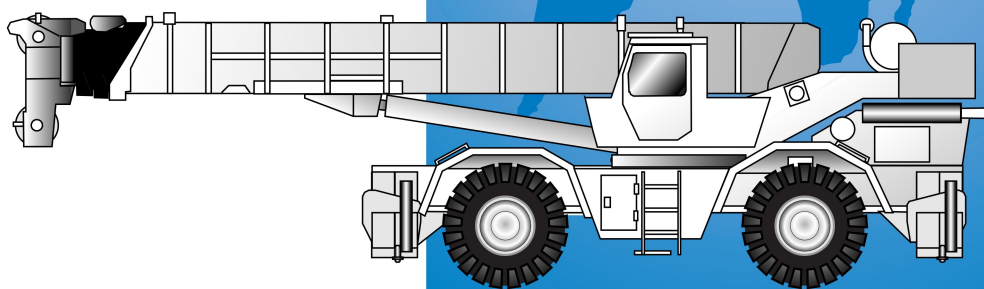


GROVE
CRANE

Lampson

Lampson (Australia) Pty Ltd
www.lampson.com.au
02 4941 0400

RT880

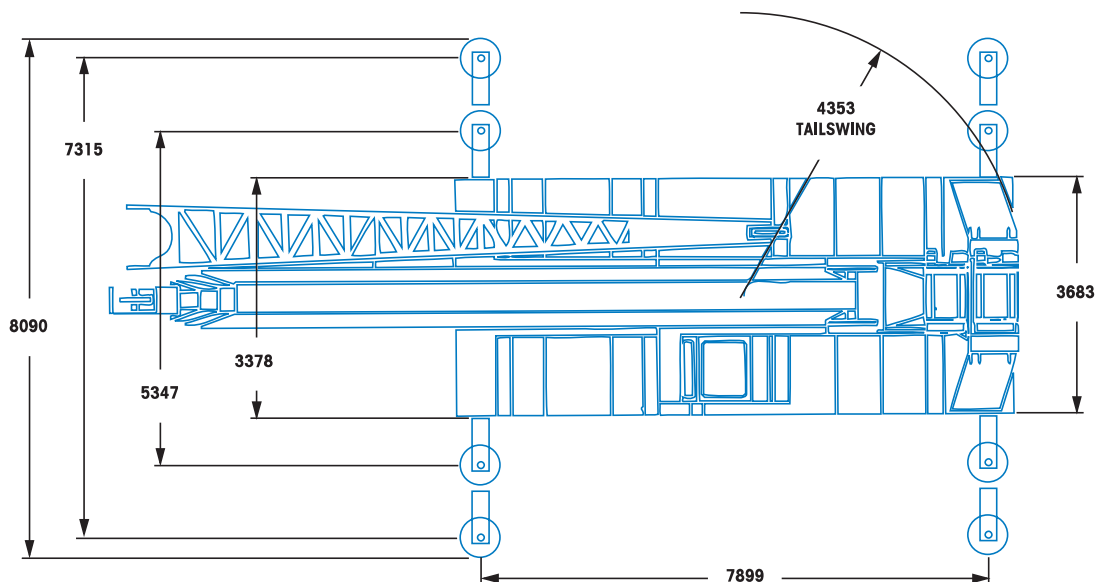
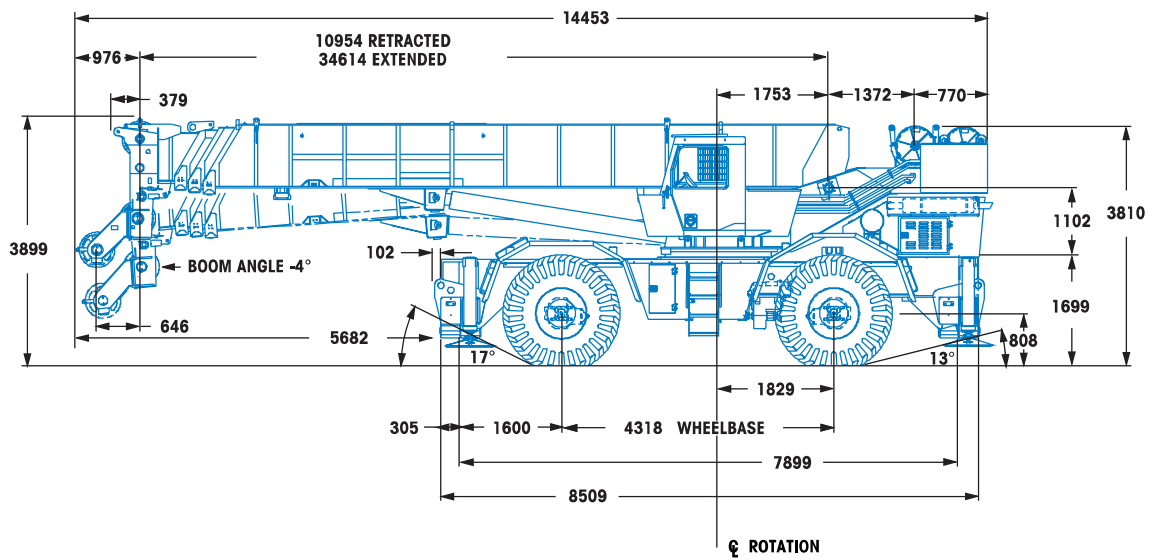


Rough Terrain Crane
Grue Tout Terrain

Geländekran
Grúa Todo Terreno

METRIC

Dimensions
Abmessungen
Encombrement
Dimensiones



TURNING RADIUS / WENDERADIUS / RAYON DE BRAGUAGE / RADIO DE GIRO: 7620

Working range
Arbeitsbereiche
Portée flèche
Gama de trabajo



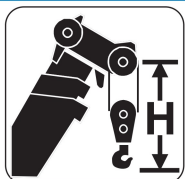
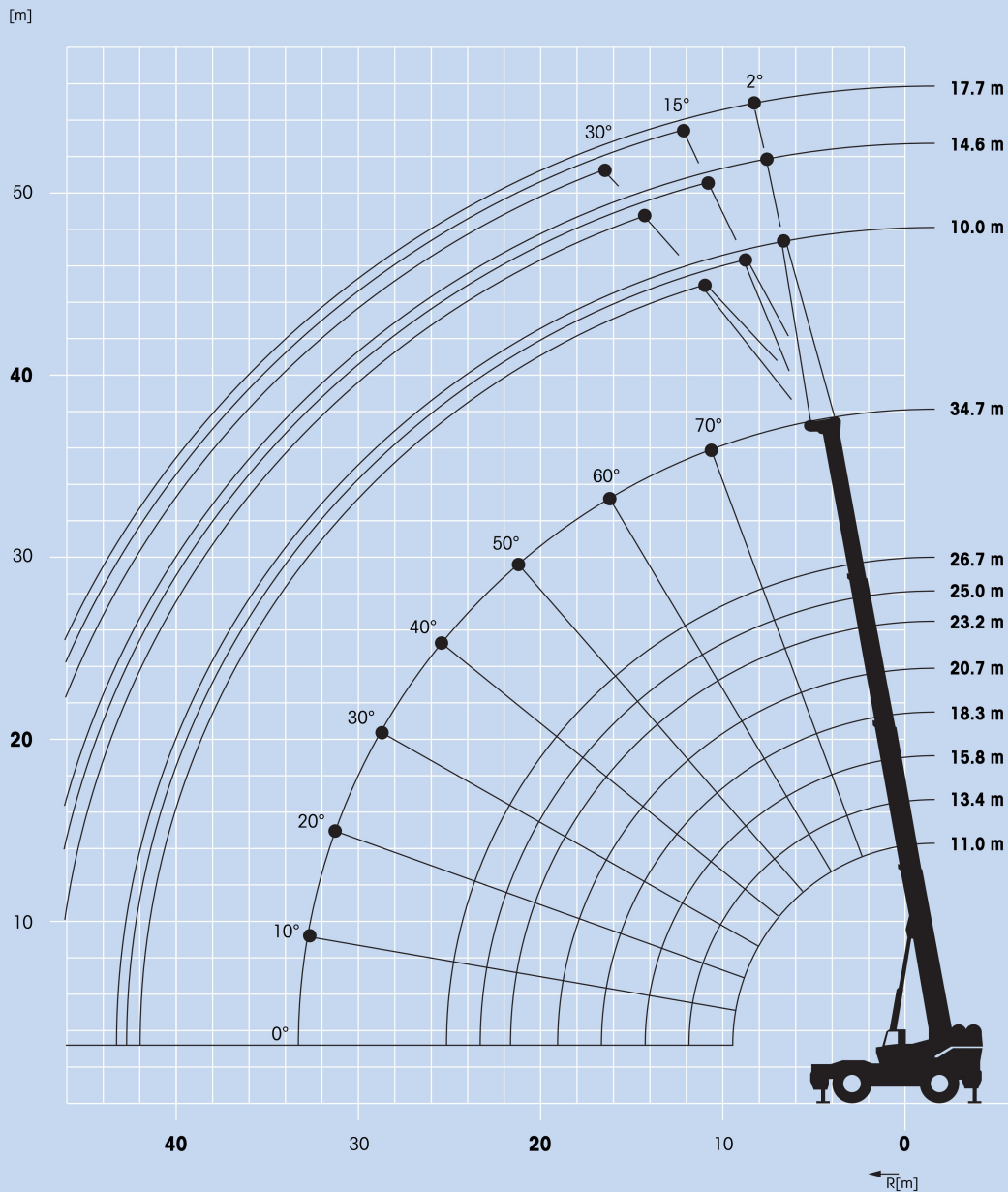
11.0 – 34.7 m



10.0 – 17.7 m



360°



Hook block • Unterflasche • Crochet-moufle • Gancho
(t)

H
(mm)

75

2286

13.6

1248

9.1 H/B

1067

6.8 H/B

1067

Lifting capacities for telescopic boom (Power Pinned)

Traglasten am Teleskopausleger

Capacités de levage à la flèche télescopique

Capacidades de elevación con pluma telescópico



11.0 – 34.7 m



100%



360°



6,350 kg



BS/DIN

m	11.0	13.4	15.8	18.3	20.7	23.2	25.0	26.7	34.7 [□]
3.0	75,000	48,395	46,080	45,355	43,860				
3.5	55,970	48,395	46,080	44,315	40,775	38,415			
4.0	51,365	48,170	45,085	42,025	38,165	37,215			
4.5	47,445	47,170	43,475	38,940	36,195	35,435	31,860	29,255	
5.0	43,815	43,815	41,455	36,215	34,060	33,540	30,570	28,210	
6.0	37,145	37,145	37,080	32,295	29,550	29,345	27,280	25,215	
7.0	31,455	31,455	31,455	29,210	26,080	24,855	23,470	22,290	16,235
8.0		26,535	26,535	25,965	23,605	21,475	20,385	19,820	14,945
9.0		22,475	22,475	22,475	21,475	19,615	18,570	17,980	13,875
10.0		19,270	19,260	19,255	19,250	17,960	16,960	16,420	12,925
12.0			13,260	13,255	13,250	13,245	13,240	13,240	11,335
14.0				9,630	9,625	9,620	9,615	9,615	10,090
16.0				7,085	7,080	7,075	7,070	7,070	9,090
18.0					5,350	5,345	5,340	5,340	7,045
20.0						4,060	4,055	4,055	5,645
23.0								2,612	3,985
26.0									2,845
29.0									1,925
32.0									1,195

A6-829-012496A



85%

m	11.0	13.4	15.8	18.3	20.7	23.2	25.0	26.7	34.7 [□]
3.0	75,000	48,395	46,080	45,355	43,860				
3.5	55,970	48,395	46,080	44,315	40,775	38,415			
4.0	51,365	48,170	45,085	42,025	38,165	37,215			
4.5	47,445	47,170	43,475	38,940	36,195	35,435	31,860	29,255	
5.0	43,815	43,815	41,455	36,215	34,060	33,540	30,570	28,210	
6.0	37,145	37,145	37,080	32,295	29,550	29,345	27,280	25,215	17,575
7.0	31,455	31,455	31,455	29,210	26,080	24,855	23,470	22,290	16,235
8.0		26,535	26,535	25,965	23,605	21,475	20,385	19,820	14,945
9.0		22,475	22,475	22,475	21,475	19,615	18,570	17,980	13,875
10.0		19,390	19,390	19,390	19,250	17,960	16,960	16,420	12,925
12.0			14,660	14,660	14,660	14,660	14,285	13,605	11,335
14.0				10,805	10,805	10,805	10,805	10,805	10,090
16.0				8,105	8,105	8,105	8,105	8,105	9,090
18.0					6,260	6,260	6,260	6,260	7,990
20.0						4,895	4,895	4,895	6,500
23.0								3,365	4,740
26.0									3,525
29.0									2,550
32.0									1,775

A6-829-0012492A

□ Fly section extended, Mechanisches Teleskopstück ausgefahren, Élément de tête télescopée, Sección de cabeza extendida