





Grove RT890E

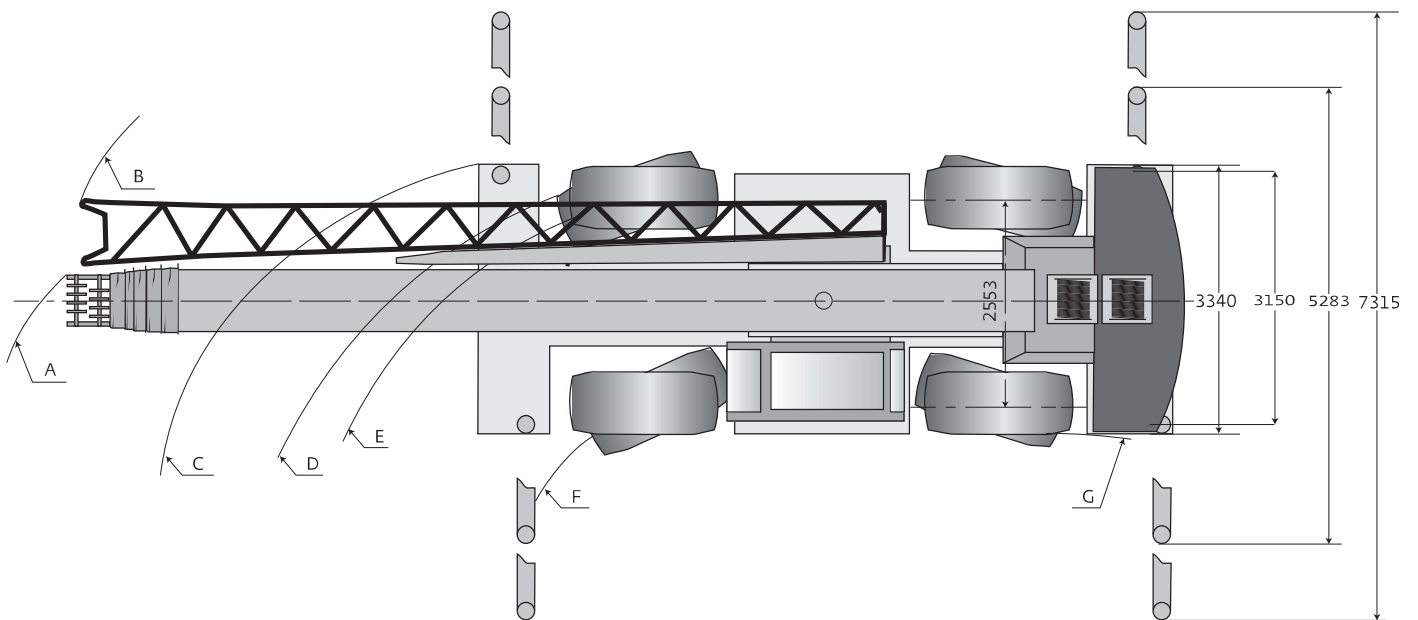
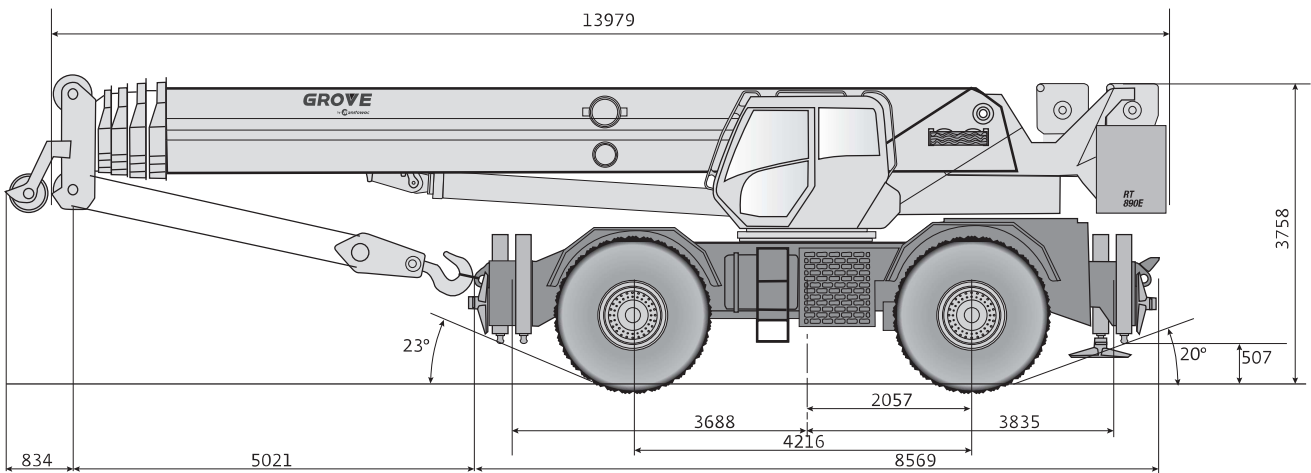
Product Guide

-  80 t
-  43,2 m
-  10,0 - 17,0 m
-  72,0 m



Rough Terrain Crane • Geländekran
Grue Tout-Terrain • Grúa Todo Terreno
Autogru Fuoristrada • Grua RT
Кран для использования на пересеченной местности

Dimensions • Abmessungen • Encombrement • Dimensiones
• Dimensioni • Dimensões • Размеры



Tire size	A	B	C	D	E	F	G	A	B	C	D	E	F	G
29,5 X 25	15 700	16 300	13 600	12 900	12 500	10 100	8 800	11 100	11 600	8 400	7 800	7 300	4 900	4 100
	2 wheel steer							4 wheel steer						

Note: Reference dimensions in mm • Hinweis: Bezugsmaße in mm • Remarque : cotes de référence en mm •
Nota: Dimensiones de referencia en mm • Nota: Dimensioni di riferimento in mm • Nota: Dimensões de referência em mm •
Примечание: Справочные размеры (в мм)

Load charts • Traglasten • Capacités de levage • Capacidades Caracità • Diagramas de carga • Таблицы грузоподъемности

Working range • Arbeitsbereiche • Diagramme de levage • Gama de trabajo • Area di lavoro
Intervalo de funcionamento • Грузовысотные характеристики



11,4 – 43,2 m



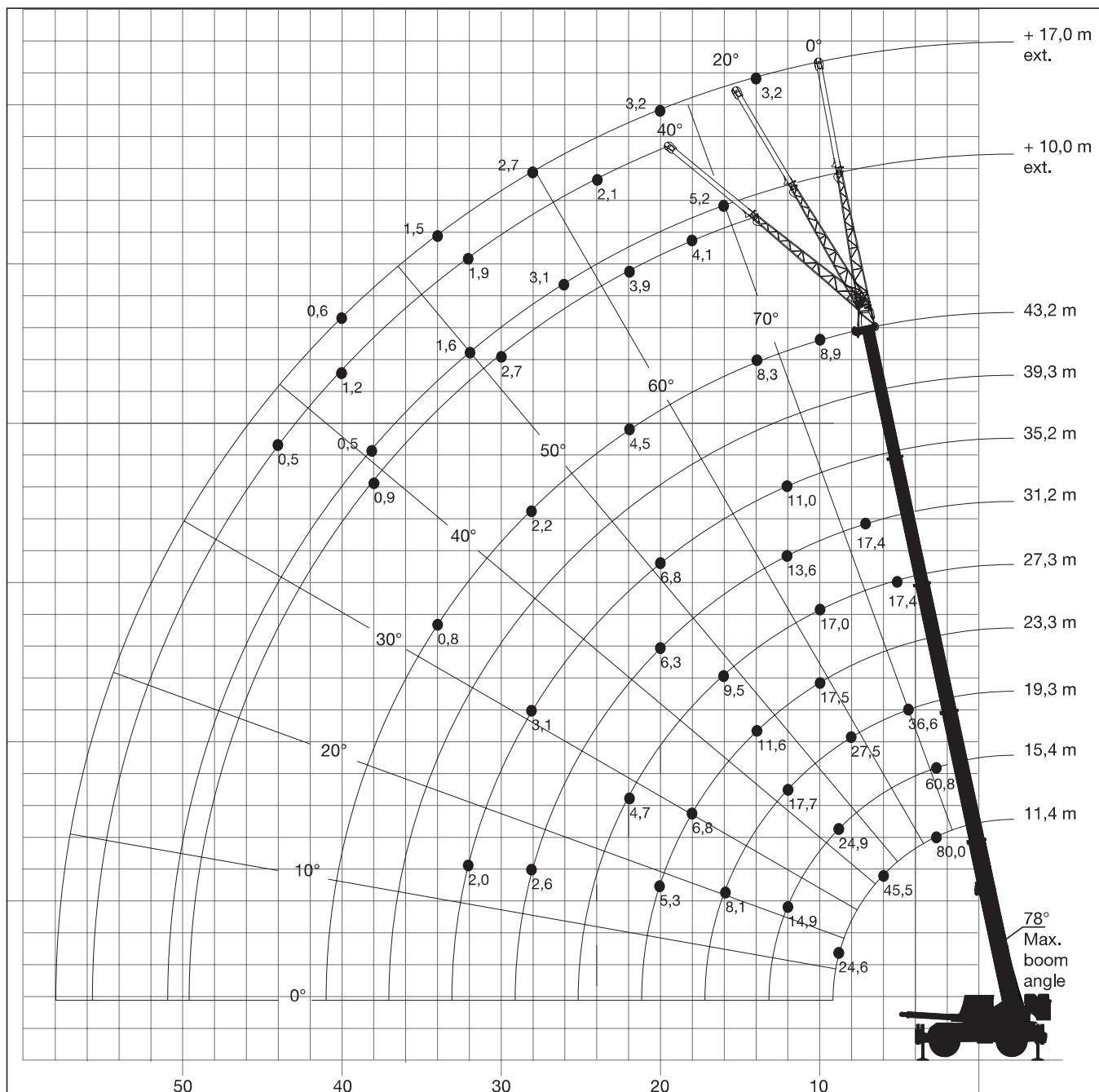
100 %



360°



9,9 t



	H (mm) (t)
	3124

Load charts • Traglasten • Capacités de levage • Capacidades Caracità • Diagramas de carga • Таблицы грузоподъемности

Telescopic boom • Teleskopausleger • Flèche principale • Pluma telescópica • Braccio telescopico
Lança telescópica • Телескопическая стрела



11,4 - 43,2 m



100 %



360°



9,9 t



EN13000

Radius m	11,4	15,4	19,3	23,3	27,3	31,2	35,2	43,2	Radius m
3,0	80,000	60,775	36,650	-	-	-	-	-	3,0
3,5	72,500	60,775	36,650	-	-	-	-	-	3,5
4,0	66,000	59,950	36,650	17,550	-	-	-	-	4,0
4,5	59,425	58,775	36,650	17,550	-	-	-	-	4,5
5,0	54,000	53,000	35,375	17,550	17,450	-	-	-	5,0
6,0	45,475	45,000	32,450	17,550	17,450	17,400	-	-	6,0
7,0	38,975	39,100	29,850	17,550	17,450	17,400	-	-	7,0
8,0	32,650	33,000	27,450	17,550	17,450	17,300	11,050	-	8,0
9,0	24,550	26,075	24,875	17,550	17,450	17,025	11,050	-	9,0
10,0	-	21,200	20,950	17,550	17,000	15,875	11,050	8,890	10,0
12,0	-	14,925	14,725	15,675	15,075	13,575	11,050	8,640	12,0
14,0	-	-	10,775	11,575	12,325	11,800	10,850	8,280	14,0
16,0	-	-	8,080	8,820	9,525	9,970	9,440	7,780	16,0
18,0	-	-	-	6,825	7,465	7,905	8,330	6,795	18,0
20,0	-	-	-	5,300	5,910	6,340	6,770	5,530	20,0
22,0	-	-	-	-	4,690	5,120	5,545	4,500	22,0
24,0	-	-	-	-	3,695	4,140	4,565	3,645	24,0
26,0	-	-	-	-	-	3,335	3,755	2,905	26,0
28,0	-	-	-	-	-	2,645	3,080	2,240	28,0
30,0	-	-	-	-	-	-	2,505	1,680	30,0
32,0	-	-	-	-	-	-	2,000	1,195	32,0
34,0	-	-	-	-	-	-	-	0,775	34,0

AG-829-103480



85 %

Radius m	11,4	15,4	19,3	23,3	27,3	31,2	35,2	43,2	Radius m
3,0	80,000	60,775	36,650	-	-	-	-	-	3,0
3,5	73,650	60,775	36,650	-	-	-	-	-	3,5
4,0	66,225	59,950	36,650	17,550	-	-	-	-	4,0
4,5	59,425	58,775	36,650	17,550	-	-	-	-	4,5
5,0	54,550	54,725	35,375	17,550	17,450	-	-	-	5,0
6,0	45,475	45,600	32,450	17,550	17,450	17,400	-	-	6,0
7,0	38,975	39,100	29,850	17,550	17,450	17,400	-	-	7,0
8,0	32,650	34,200	27,450	17,550	17,450	17,300	11,050	-	8,0
9,0	24,550	28,300	25,350	17,550	17,450	17,025	11,050	-	9,0
10,0	-	23,125	23,100	17,550	17,000	15,900	11,050	11,050	10,0
12,0	-	16,475	16,225	17,075	15,075	13,600	11,050	11,000	12,0
14,0	-	-	12,025	12,825	13,075	11,800	10,850	9,755	14,0
16,0	-	-	9,175	9,905	10,600	10,325	9,525	8,550	16,0
18,0	-	-	-	7,785	8,425	8,855	8,425	7,475	18,0
20,0	-	-	-	6,160	6,770	7,200	7,495	6,565	20,0
22,0	-	-	-	-	5,475	5,900	6,325	5,455	22,0
24,0	-	-	-	-	4,415	4,860	5,280	4,430	24,0
26,0	-	-	-	-	-	4,000	4,425	3,585	26,0
28,0	-	-	-	-	-	3,270	3,705	2,885	28,0
30,0	-	-	-	-	-	-	3,095	2,285	30,0
32,0	-	-	-	-	-	-	2,560	1,775	32,0
34,0	-	-	-	-	-	-	-	1,330	34,0
36,0	-	-	-	-	-	-	-	0,940	36,0
38,0	-	-	-	-	-	-	-	0,585	38,0

AG-829-103458