

# Grove RT9150E

## Product guide

Lampson (Australia) Pty Ltd  
[www.lampson.com.au](http://www.lampson.com.au)  
02 4941 0400

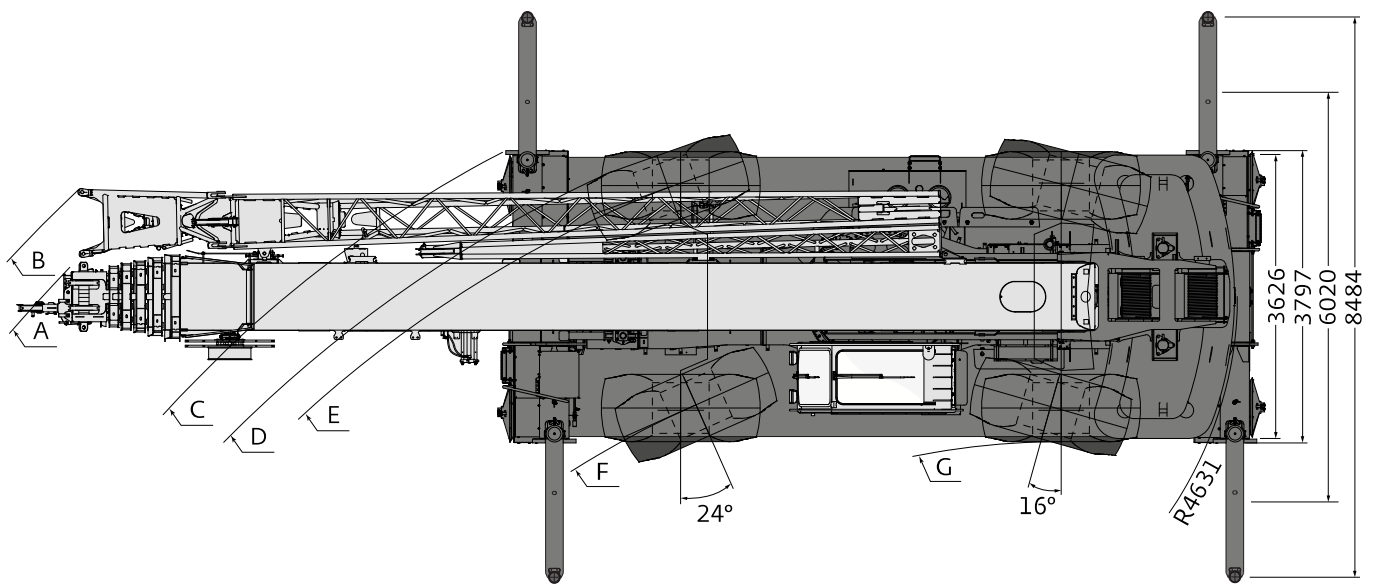
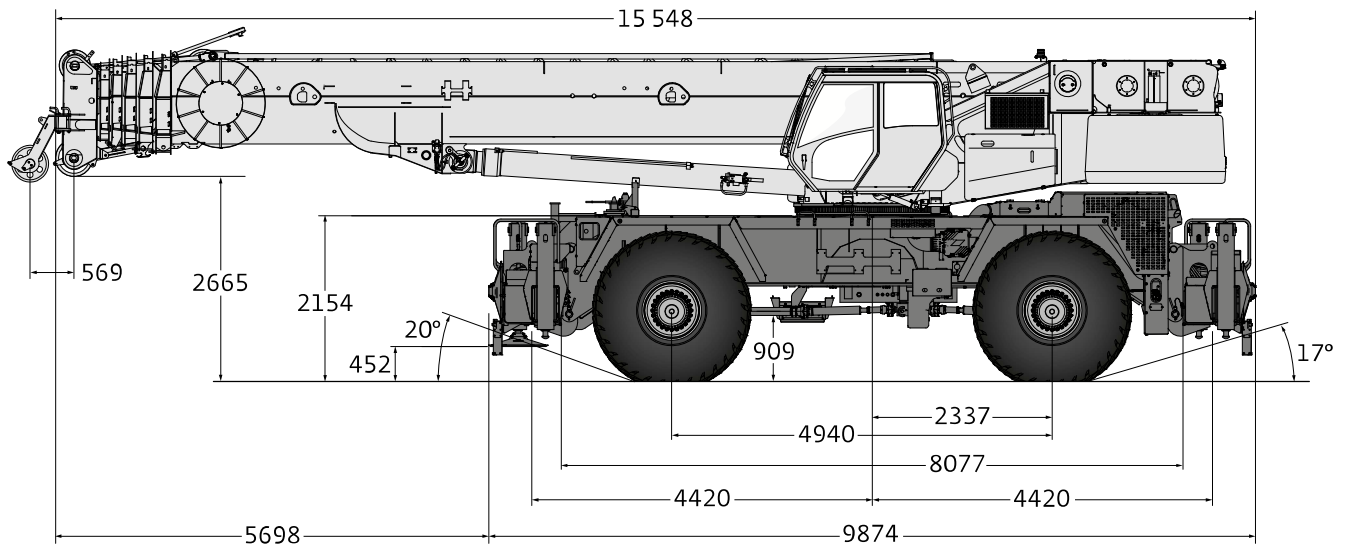


-  135 t
-  60,0 m
-  11,0 - 18,0 m
-  95,3 m



**Rough Terrain Crane • Geländekran • Grue Tout-Terrain  
Grúa Todo Terreno • Autogru Fuoristrada • Grua RT  
Кран для использования на пересеченной местности**

# Dimensions • Abmessungen • Encombrement • Dimensiones Dimensioni • Dimensões • Размеры



Tire size	A	B	C	D	E	F	G	A	B	C	D	E	F	G
33,25x29	17,9	18,5	15,7	14,9	14,4	11,7	10,2	13,6	14,2	11,0	10,1	9,7	6,9	5,9
	2 wheel steer							4 wheel steer						

Note: Reference dimensions in m • Hinweis: Bezugsmaße in m • Remarque: cotes de référence en m • Nota: Dimensiones de referencia en m • Nota: Dimensioni di riferimento in m • Nota: Dimensões de referência em m • Примечание: Справочные размеры (в м)

# Load charts • Traglasten • Capacités de levage • Capacidades Capacità • Diagramas de carga • Таблицы грузоподъемности

Working range • Arbeitsbereiche • Diagramme de levage • Gama de trabajo • Area di lavoro  
Intervalo de funcionamento • Грузовысотные характеристики



12,9 – 60,0 m



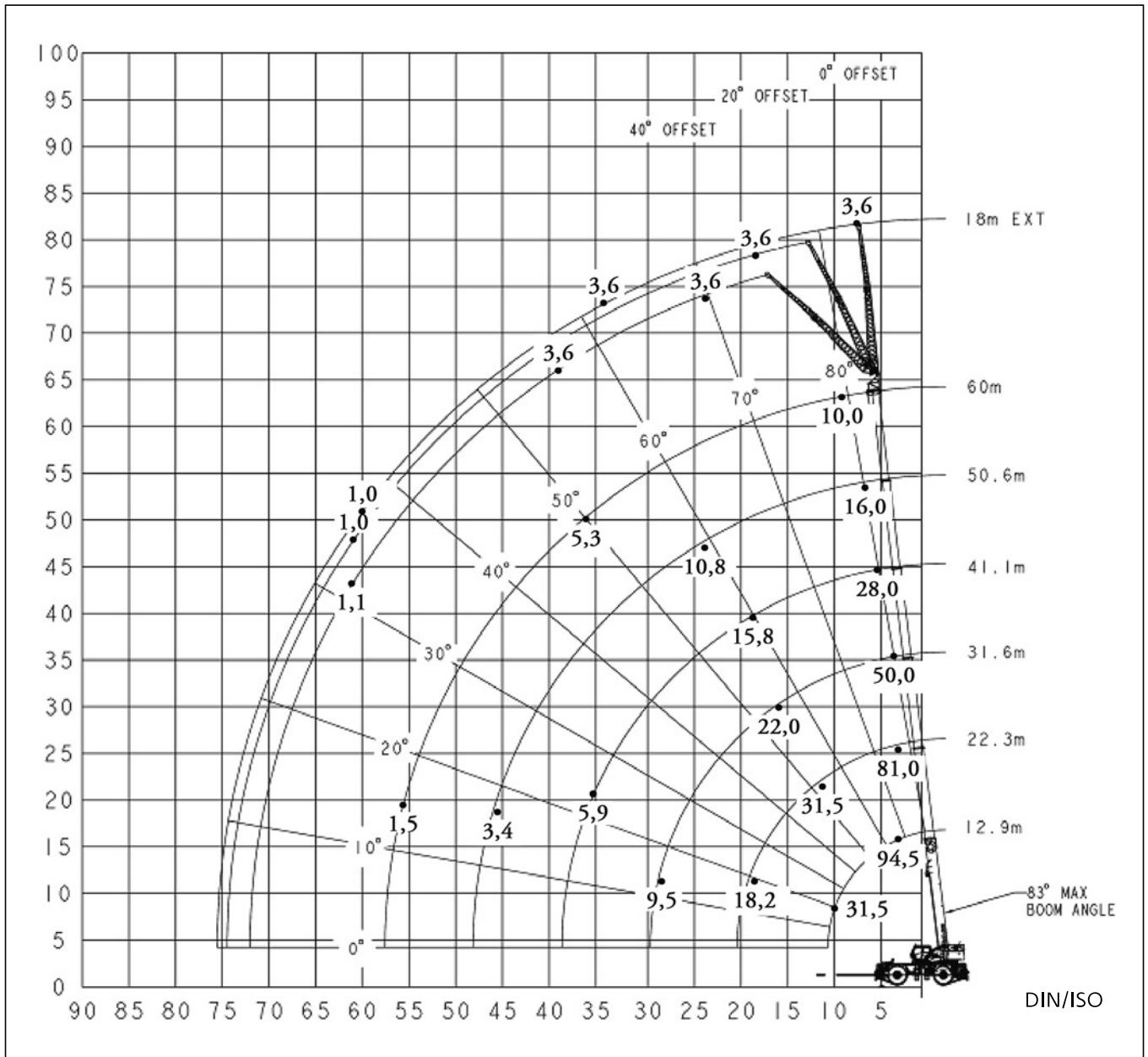
100 %



360°



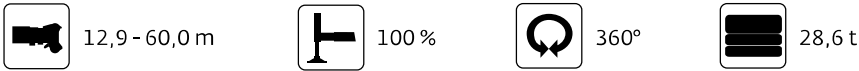
28,6 t



	H (mm)
	3110

# Load charts • Traglasten • Capacités de levage • Capacidades Caracità • Diagramas de carga • Таблицы грузоподъемности

Telescopic boom • Teleskopausleger • Flèche principale • Pluma telescópica • Braccio telescopico  
Lança telescópica • Телескопическая стрела



m	12,9	17,5	22,1	26,8	31,5	36,2	40,9	45,7	50,4	55,2	60,0	m
2,2	135,000 <sup>*</sup>	-	-	-	-	-	-	-	-	-	-	2,2
3,0	94,500	86,000	81,000	65,000	-	-	-	-	-	-	-	3,0
4,0	81,000	76,500	71,000	65,000	50,000	-	-	-	-	-	-	4,0
5,0	70,500	67,500	63,000	60,500	49,500	38,000	-	-	-	-	-	5,0
6,0	62,000	60,000	57,500	54,500	47,000	37,000	28,000	20,500	-	-	-	6,0
7,0	55,000	53,000	52,000	50,000	44,000	35,000	28,000	20,500	16,000	-	-	7,0
8,0	48,000	47,500	47,000	46,000	41,500	33,000	28,000	20,500	16,000	11,600	-	8,0
9,0	41,000	43,000	42,500	41,500	39,000	31,500	26,500	20,500	16,000	11,600	10,000	9,0
10,0	31,500	38,375	38,500	37,500	37,000	29,500	25,000	20,500	16,000	11,600	10,000	10,0
12,0	-	31,500	31,500	31,000	32,000	26,500	22,500	19,500	16,000	11,600	10,000	12,0
14,0	-	25,000	26,575	26,000	26,975	23,500	19,700	17,700	15,800	11,600	10,000	14,0
16,0	-	-	21,500	22,500	22,000	21,500	17,600	15,900	14,500	11,600	10,000	16,0
18,0	-	-	18,200	18,600	18,100	18,900	15,800	14,400	13,000	11,600	10,000	18,0
20,0	-	-	-	15,700	16,100	15,900	13,900	12,700	11,900	11,100	9,700	20,0
22,0	-	-	-	13,400	14,200	13,600	12,600	11,500	10,800	10,300	9,100	22,0
24,0	-	-	-	9,600	12,300	11,800	11,600	10,400	9,800	9,400	8,600	24,0
26,0	-	-	-	-	10,800	10,200	10,800	9,500	8,900	8,600	8,000	26,0
28,0	-	-	-	-	9,500	9,300	9,500	8,400	8,200	7,900	7,600	28,0
30,0	-	-	-	-	-	8,700	8,400	7,500	7,500	7,300	7,100	30,0
32,0	-	-	-	-	-	8,000	7,500	6,900	6,500	6,500	6,400	32,0
34,0	-	-	-	-	-	-	6,600	6,200	5,700	5,700	5,700	34,0
36,0	-	-	-	-	-	-	5,900	5,900	5,000	5,300	5,300	36,0
38,0	-	-	-	-	-	-	-	5,500	4,500	5,000	4,900	38,0
40,0	-	-	-	-	-	-	-	5,000	4,200	4,700	4,500	40,0
42,0	-	-	-	-	-	-	-	4,500	3,900	4,400	3,900	42,0
44,0	-	-	-	-	-	-	-	-	3,600	3,900	3,500	44,0
46,0	-	-	-	-	-	-	-	-	3,400	3,500	3,100	46,0
48,0	-	-	-	-	-	-	-	-	-	3,100	2,700	48,0
50,0	-	-	-	-	-	-	-	-	-	2,700	2,300	50,0
52,0	-	-	-	-	-	-	-	-	-	-	2,000	52,0
54,0	-	-	-	-	-	-	-	-	-	-	1,700	54,0
56,0	-	-	-	-	-	-	-	-	-	-	1,490	56,0



m	12,9	17,5	22,1	26,8	31,5	36,2	40,9	45,7	50,4	55,2	60,0	m
2,2	135,000 <sup>*</sup>	-	-	-	-	-	-	-	-	-	-	2,2
3,0	99,000	90,500	85,000	65,000	-	-	-	-	-	-	-	3,0
4,0	85,000	80,500	74,500	65,000	50,000	-	-	-	-	-	-	4,0
5,0	74,000	71,000	66,500	63,500	50,000	38,000	-	-	-	-	-	5,0
6,0	65,000	63,000	60,500	57,500	49,000	38,000	28,000	20,500	-	-	-	6,0
7,0	57,500	55,500	54,500	52,500	46,500	36,500	28,000	20,500	16,000	-	-	7,0
8,0	50,250	49,825	49,500	48,000	43,500	34,500	28,000	20,500	16,000	11,600	-	8,0
9,0	43,000	44,500	44,000	43,500	41,000	33,000	28,000	20,500	16,000	11,600	10,000	9,0
10,0	33,000	39,550	39,750	39,450	38,500	31,000	26,500	20,500	16,000	11,600	10,000	10,0
12,0	-	31,875	32,075	31,775	32,475	27,500	23,500	20,500	16,000	11,600	10,000	12,0
14,0	-	26,000	26,575	27,325	26,975	25,000	20,500	18,500	16,000	11,600	10,000	14,0
16,0	-	-	22,375	23,200	22,825	22,500	18,500	16,700	15,300	11,600	10,000	16,0
18,0	-	-	19,100	19,925	19,300	19,700	16,600	15,100	13,700	11,600	10,000	18,0
20,0	-	-	-	17,200	16,900	17,000	14,600	13,300	12,500	11,600	10,000	20,0
22,0	-	-	-	14,700	15,500	14,900	13,200	12,000	11,300	10,800	9,600	22,0
24,0	-	-	-	10,100	13,500	12,900	12,100	10,900	10,300	9,900	9,000	24,0
26,0	-	-	-	-	11,900	11,200	11,400	10,000	9,400	9,100	8,400	26,0
28,0	-	-	-	-	10,300	9,800	10,500	9,200	8,600	8,300	8,000	28,0
30,0	-	-	-	-	-	9,200	9,300	8,100	7,900	7,600	7,500	30,0
32,0	-	-	-	-	-	8,700	8,200	7,200	7,000	6,800	6,700	32,0
34,0	-	-	-	-	-	-	7,300	6,500	6,200	6,000	6,000	34,0
36,0	-	-	-	-	-	-	6,500	6,200	5,500	5,600	5,600	36,0
38,0	-	-	-	-	-	-	-	5,900	4,800	5,200	5,200	38,0
40,0	-	-	-	-	-	-	-	5,500	4,400	4,900	4,800	40,0
42,0	-	-	-	-	-	-	-	4,900	4,100	4,600	4,300	42,0
44,0	-	-	-	-	-	-	-	-	3,800	4,300	3,800	44,0
46,0	-	-	-	-	-	-	-	-	3,600	3,800	3,400	46,0
48,0	-	-	-	-	-	-	-	-	-	3,400	2,900	48,0
50,0	-	-	-	-	-	-	-	-	-	3,000	2,600	50,0
52,0	-	-	-	-	-	-	-	-	-	-	2,200	52,0
54,0	-	-	-	-	-	-	-	-	-	-	1,900	54,0
56,0	-	-	-	-	-	-	-	-	-	-	1,600	56,0

\* With special equipment • Mit Sonderausüstung • Avec équipement spécial • Con equipamiento especial • Con equipaggiamento speciale • Com equipamento especial • Co специальным оборудованием