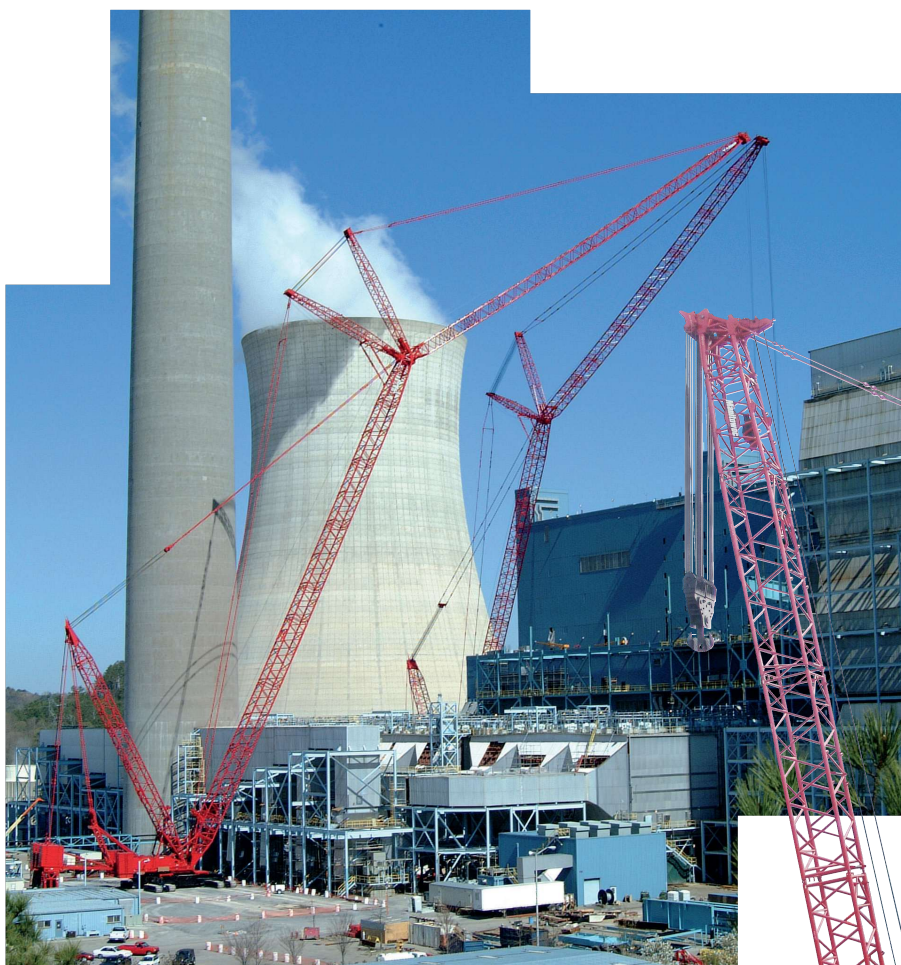


Manitowoc 21000

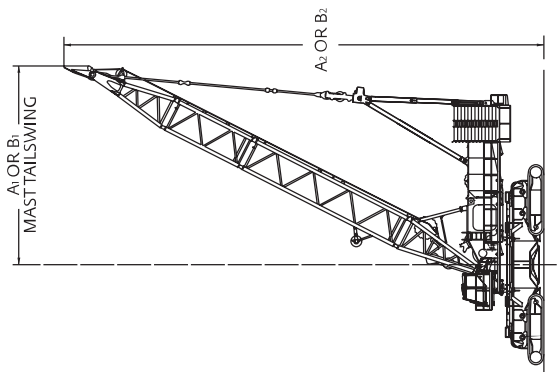
Product Guide



Features

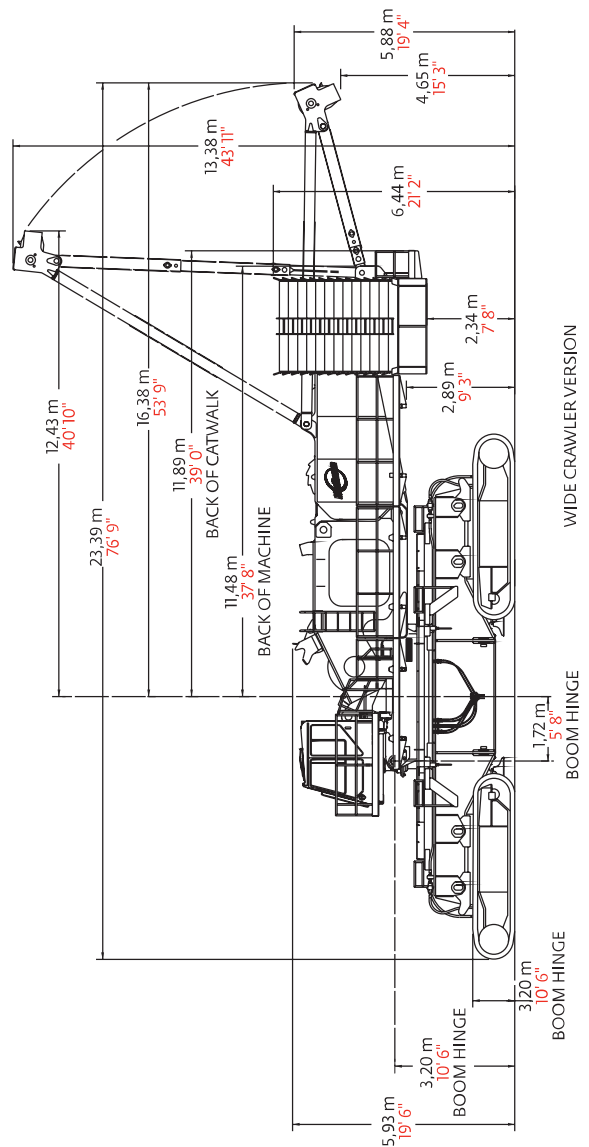
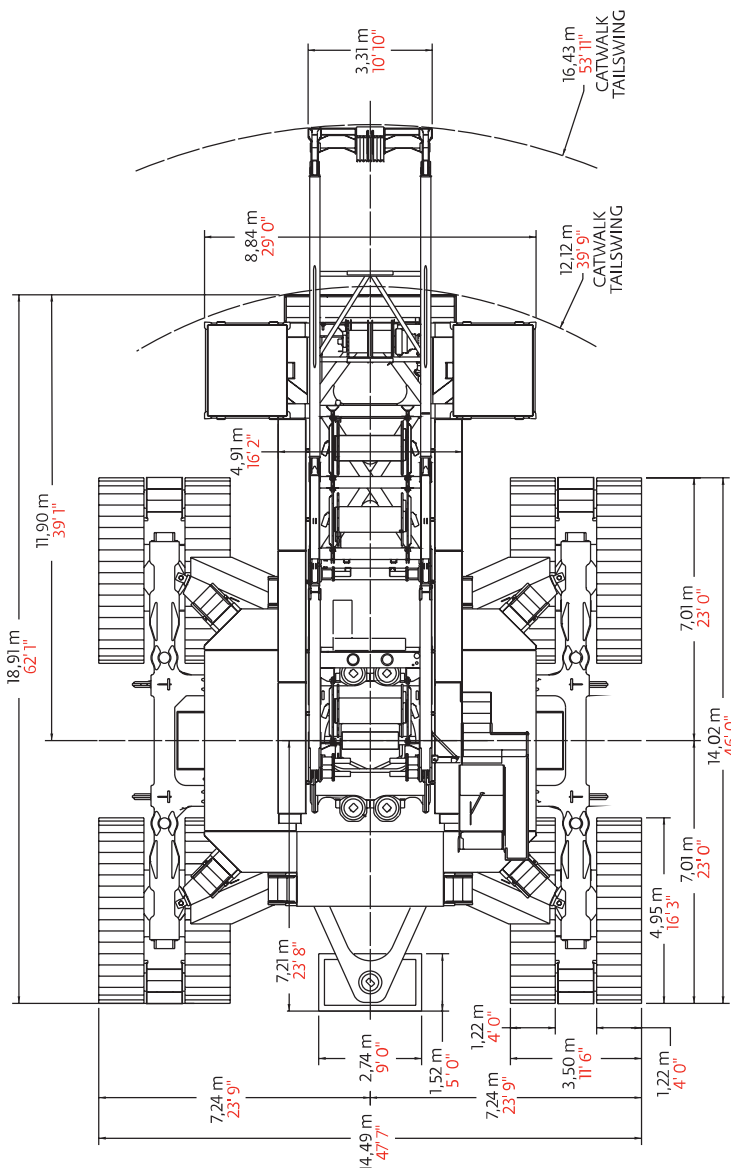
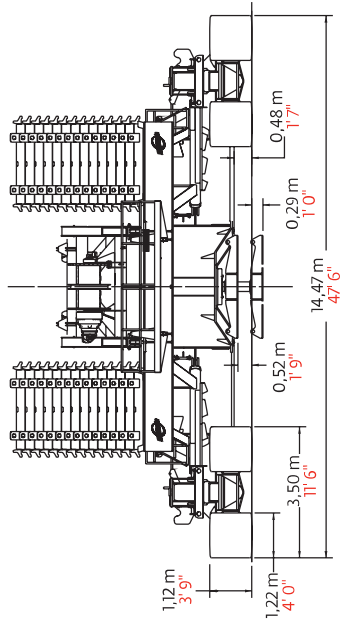
- 907 t (1,000 USt) capacity with MAX-ER®
- 756 t (834 USt) capacity
- 5 381 m-ton (38,920 ft-kips) maximum load moment
- 109,7 m (360 ft) heavy-lift boom
- 121,9 m (400 ft) long-reach boom
- 195,1 m (640 ft) luffing jib on heavy-lift boom

Outline dimensions



MACHINE WITH 30.5 m (100') MAST
 A₁ = 13.92m (45' 8")
 A₂ = 33.60m (110' 3")

MACHINE WITH 42.7 m (140') MAST
 B₁ = 19.46m (63' 10")
 B₂ = 44.47m (145' 11")



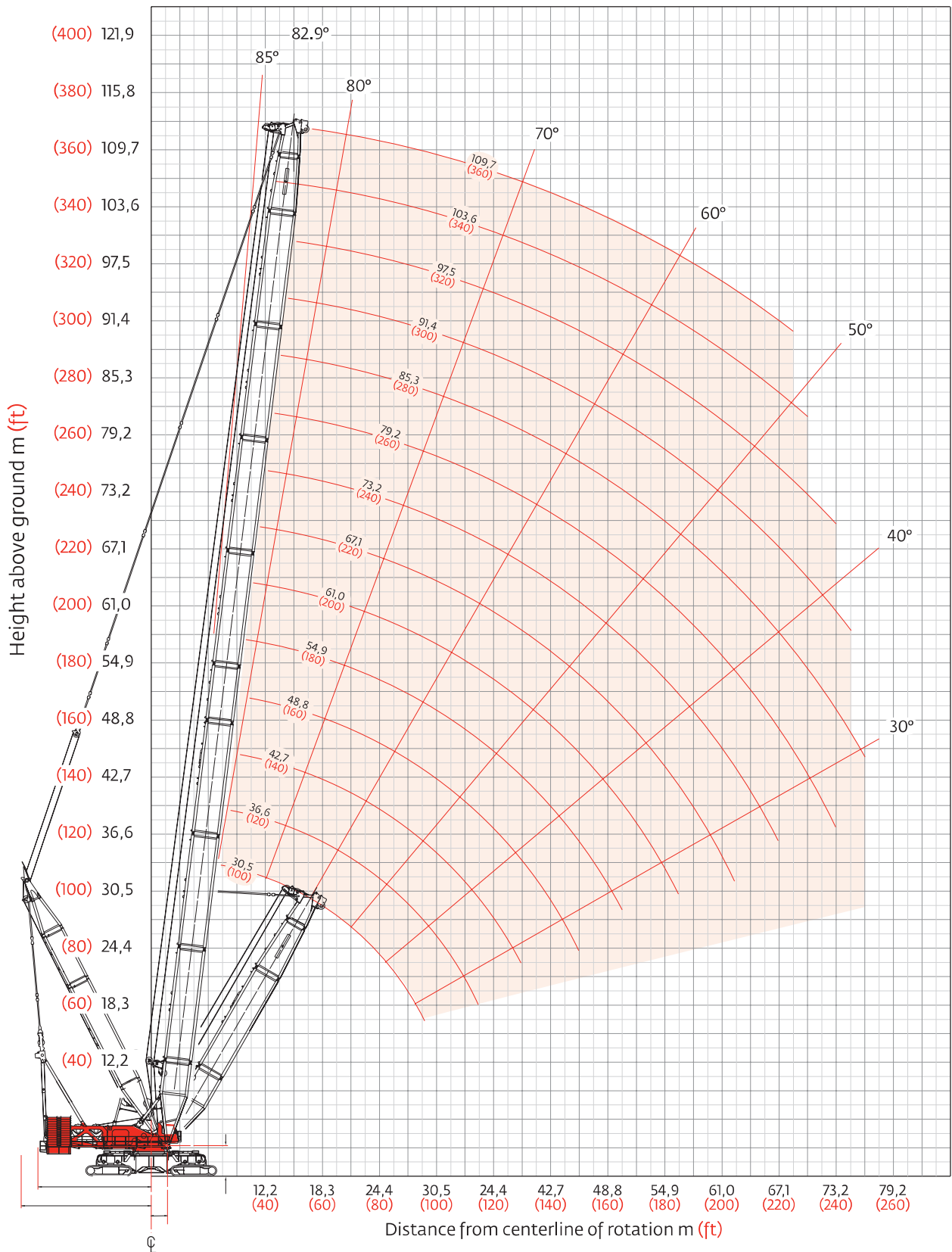
Manitowoc 21000



Lampson Australia - info@lampson.com.au - 02 4941 0400

Heavy-lift boom range diagram

No. 80 Heavy-lift boom



Manitowoc 21000



Lampson Australia - info@lampson.com.au - 02 4941 0400

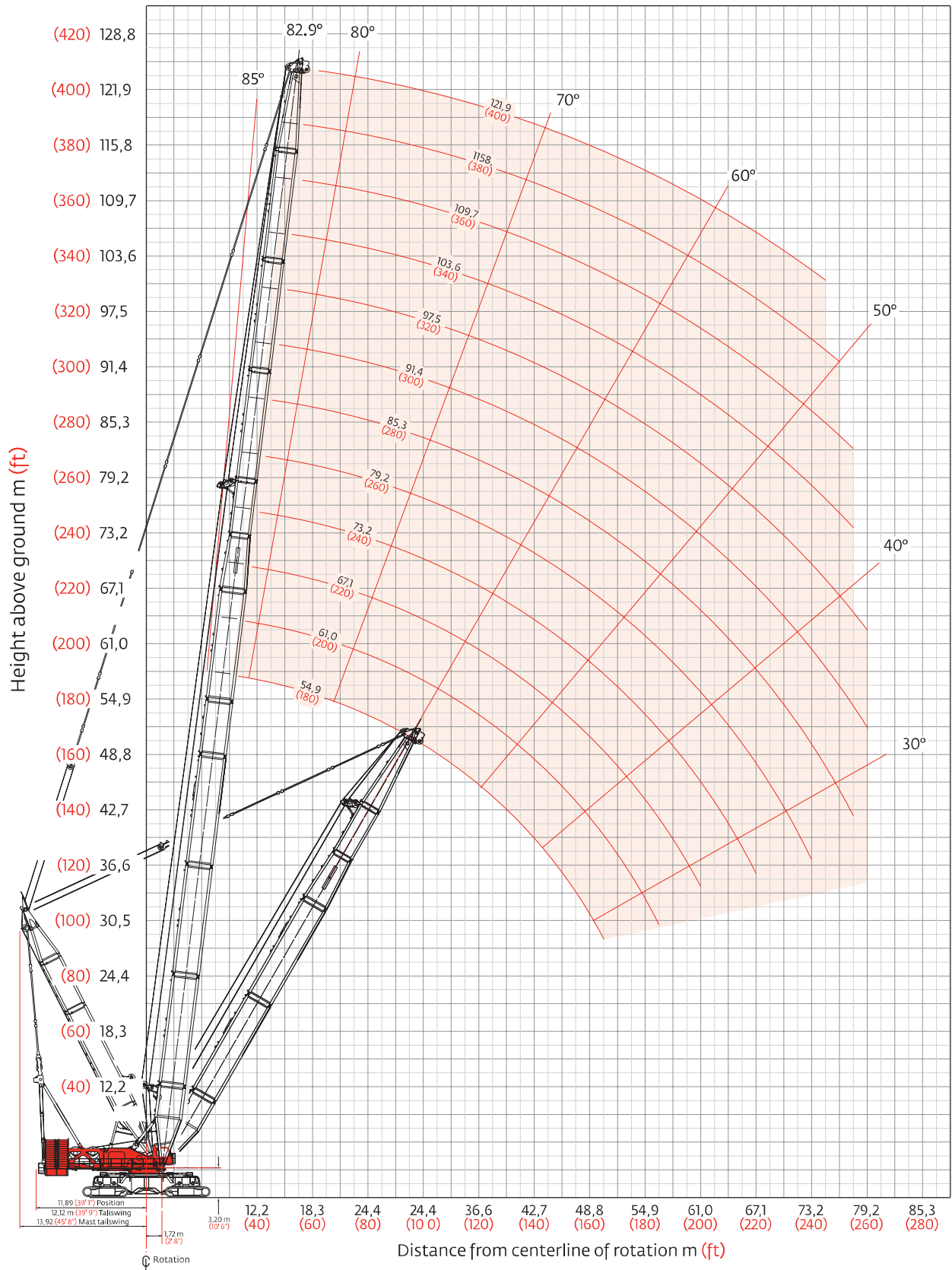
Heavy-lift boom load charts

Liftcrane boom capacities												
Boom No. 80 with 30,5 m (100') Mast												
Boom m (ft) Radius	240 720 kg (530,700 lb) Crane counterweight 90 720 kg (200,000 lb) carbody counterweight 360° Rating for wide crawler arrangement or narrow crawler arrangement with outriggers kg (lb) x1000											
	30,5 (100)	36,6 (120)	42,7 (140)	48,8 (160)	54,9 (180)	61,0 (200)	73,2 (240)	85,3 (280)	91,4 (300)	97,5 (320)	103,6 (340)	109,7 (360)
7,0 (23)	756,6 (1668.2)											
8,0 (26)	667,4 (1485.0)	665,0 (1478.8)										
9,0 (30)	595,8 (1293.6)	593,0 (1287.6)	591,8 (1283.8)	— (1277.5)								
10,0 (34)	537,5 (1144.1)	534,8 (1138.3)	533,1 (1134.7)	530,3 (1128.6)	— (1130.8)							
12,0 (40)	448,3 (972.7)	445,7 (967.2)	444,2 (963.7)	441,5 (957.8)	442,5 (960.2)	440,5 (955.7)	— (948.2)					
16,0 (50)	333,6 (774.1)	331,2 (768.8)	329,8 (765.6)	327,2 (759.9)	328,4 (762.5)	326,3 (757.9)	322,9 (750.3)	319,1 (742.1)	317,7 (737.1)	316,1 (733.5)		
18,0 (60)	292,9 (633.8)	290,9 (629.4)	289,5 (626.5)	287,2 (621.5)	288,5 (624.5)	286,5 (620.3)	283,3 (613.5)	279,9 (606.1)	277,8 (601.6)	276,3 (598.4)	274,5 (593.7)	272,8 (589.9)
22,0 (70)	231,6 (529.6)	229,7 (525.3)	228,4 (522.5)	226,3 (517.7)	227,6 (520.7)	225,7 (516.4)	222,5 (509.4)	219,0 (501.8)	216,9 (497.2)	215,4 (493.9)	213,3 (489.2)	211,7 (485.7)
24,0 (80)	208,9 (452.1)	207,0 (447.9)	205,8 (445.2)	203,6 (440.5)	205,0 (443.6)	203,0 (439.2)	199,8 (432.1)	196,4 (424.4)	194,2 (419.6)	192,7 (416.3)	190,5 (411.5)	188,9 (408.0)
26,0 (90)	189,8 (392.0)	187,9 (388.1)	186,7 (385.5)	184,6 (380.8)	186,1 (384.1)	184,0 (379.6)	180,8 (372.4)	177,3 (364.6)	175,1 (359.7)	173,5 (356.4)	171,4 (351.6)	169,8 (348.0)
30,0 (100)		157,5 (340.4)	156,3 (337.9)	154,2 (333.3)	155,7 (336.7)	153,7 (332.1)	150,4 (324.8)	146,8 (317.0)	144,6 (312.1)	143,1 (308.7)	140,9 (303.8)	139,2 (300.2)
34,0 (110)		134,2 (301.4)	133,2 (299.1)	131,1 (294.6)	132,7 (298.0)	130,6 (293.4)	127,3 (286.1)	123,7 (278.2)	121,5 (273.3)	119,9 (269.9)	117,7 (265.0)	116,0 (261.3)
36,0 (120)			123,5 (266.7)	121,5 (262.4)	123,1 (265.9)	121,0 (261.3)	117,7 (253.9)	114,0 (245.9)	111,7 (240.4)	110,0 (236.4)	107,6 (230.5)	105,6 (226.1)
40,0 (130)			— (236.1)	103,7 (232.2)	106,5 (238.2)	104,0 (232.9)	100,3 (224.7)	96,0 (215.3)	93,3 (209.4)	91,5 (205.3)	88,7 (199.2)	86,7 (194.8)
44,0 (150)				88,6 (182.8)	91,4 (189.3)	89,1 (184.0)	85,3 (175.6)	80,9 (166.1)	78,2 (160.1)	76,3 (155.9)	73,6 (149.7)	71,5 (145.2)
48,0 (160)					78,9 (169.4)	76,6 (164.2)	72,8 (155.8)	68,5 (146.3)	65,7 (140.1)	63,8 (136.0)	61,0 (129.8)	58,9 (125.3)
52,0 (170)						66,0 (146.7)	62,3 (138.4)	57,9 (128.8)	55,1 (122.6)	53,3 (118.5)	50,4 (112.2)	48,4 (107.7)
54,0 (180)						61,3 (131.0)	57,6 (122.9)	53,2 (113.3)	50,5 (107.1)	48,6 (102.9)	45,7 (96.7)	43,7 (92.1)
60,0 (200)							45,4 (96.4)	41,1 (86.9)	38,3 (80.7)	36,4 (76.6)	33,5 (70.3)	31,5 (65.7)
64,0 (210)							38,5 (85.0)	34,3 (75.6)	31,4 (69.4)	29,6 (65.3)	26,7 (59.0)	24,6 (54.4)
66,0 (220)							35,4 (74.5)	31,2 (65.3)	28,4 (59.2)	26,5 (55.0)	23,6 (48.7)	21,6 (44.2)
70,0 (230)								25,4 (55.9)	22,7 (49.8)	20,8 (45.7)	17,9 (39.3)	
74,0 (240)								20,3 (47.2)	17,6 (41.1)	— (37.0)		
76,0 (250)								17,9 (39.1)				

Meets ANSI B30.5 Requirements - Capacities do not exceed 75% of static tipping load.
 NOTICE: This capacity chart is for reference only and must not be used for lifting purposes.

Long-reach top range diagram

No. 80-81 Long-reach boom



Manitowoc 21000



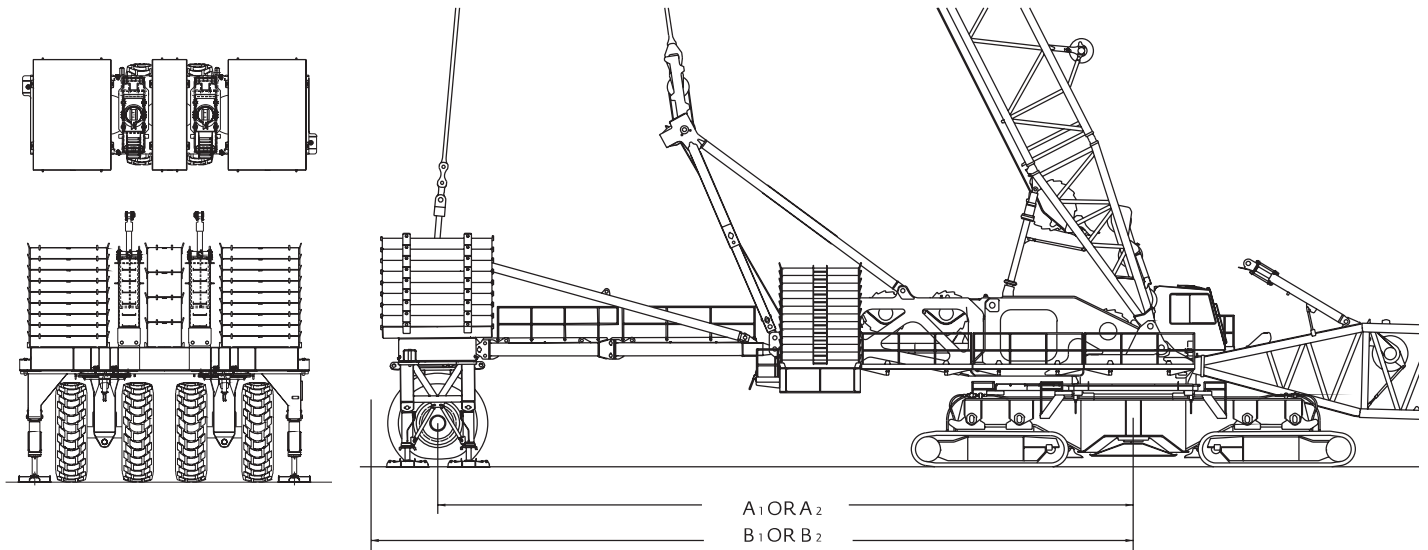
Lampson Australia - info@lampson.com.au - 02 4941 0400

Long-reach top load chart

Liftcrane boom capacities Boom No. 80-81 with 30,5 m (100') mast												
Boom m (ft) Radius	240 720 kg (530,700 lb) Crane Counterweight 90 720 kg (200,000 lb) Carbody Counterweight 360° Rating for wide crawler arrangement or narrow crawler arrangement with outriggers kg (lb) x 1 000											
	54,9 (180)	61,0 (200)	67,1 (220)	73,2 (240)	79,2 (260)	85,3 (280)	91,4 (300)	97,5 (320)	103,6 (340)	109,7 (360)	115,8 (380)	121,9 (400)
9,8 (32)	544,3 (1200.0)											
12,0 (40)	446,4 (968.8)	443,5 (962.2)	443,0 (957.7)	— (948.4)								
14,0 (45)	381,6 (859.5)	378,8 (853.2)	376,7 (848.7)	374,6 (843.7)	373,6 (840.3)	371,3 (835.2)						
16,0 (50)	332,3 (771.1)	329,5 (764.9)	327,5 (760.5)	325,2 (755.4)	323,7 (752.0)	321,4 (746.9)	321,2 (744.5)	320,7 (743.6)				
18,0 (60)	292,4 (633.2)	289,9 (627.7)	288,0 (623.5)	285,8 (619.0)	284,4 (615.9)	282,3 (611.3)	281,3 (609.3)	281,0 (608.8)	280,1 (606.1)	279,6 (604.9)	— (585.6)	— (504.8)
22,0 (70)	231,6 (529.4)	229,1 (524.0)	227,3 (519.9)	225,1 (515.2)	223,7 (512.1)	221,6 (507.4)	220,6 (505.3)	220,3 (504.7)	219,1 (501.9)	218,6 (500.9)	217,5 (498.4)	210,1 (467.6)
24,0 (80)	209,0 (452.2)	206,5 (446.9)	204,7 (442.9)	202,5 (438.1)	201,1 (435.0)	199,0 (430.2)	198,0 (428.1)	197,7 (427.4)	196,4 (424.5)	195,9 (423.5)	194,8 (420.9)	195,4 (419.5)
26,0 (90)	190,0 (392.6)	187,6 (387.4)	185,7 (383.4)	183,6 (378.6)	182,1 (375.4)	179,9 (370.6)	178,9 (368.4)	178,7 (367.7)	177,4 (364.8)	176,9 (363.7)	175,7 (361.1)	175,0 (359.7)
30,0 (100)	159,6 (345.2)	157,2 (340.0)	155,4 (336.0)	153,3 (331.2)	151,8 (328.0)	149,6 (323.1)	148,6 (321.0)	148,3 (320.3)	147,0 (317.3)	146,5 (316.2)	145,2 (313.5)	144,6 (312.0)
34,0 (110)	136,5 (306.5)	134,2 (301.4)	132,5 (297.5)	130,2 (292.6)	128,8 (289.4)	126,6 (284.5)	125,6 (282.3)	125,2 (281.6)	123,9 (278.6)	123,3 (277.4)	122,1 (274.7)	121,5 (273.3)
36,0 (120)	126,9 (274.3)	124,6 (269.3)	122,9 (265.4)	120,7 (260.5)	119,2 (257.3)	117,0 (252.4)	116,0 (250.2)	115,7 (249.5)	114,3 (246.4)	113,8 (245.3)	112,5 (242.5)	111,8 (241.0)
40,0 (130)	110,6 (247.1)	108,4 (242.2)	106,6 (238.3)	104,3 (233.4)	102,8 (230.0)	100,0 (224.0)	98,9 (221.6)	98,7 (221.2)	97,1 (217.7)	96,6 (216.6)	95,2 (213.5)	94,4 (211.8)
44,0 (150)	96,5 (200.4)	94,0 (195.0)	92,0 (190.6)	89,4 (184.8)	87,7 (181.2)	85,0 (175.0)	83,8 (172.6)	83,6 (172.1)	82,0 (168.4)	81,5 (167.3)	80,0 (164.0)	79,3 (162.3)
48,0 (160)	84,0 (180.4)	81,6 (175.2)	79,6 (170.9)	77,0 (165.1)	75,3 (161.4)	72,5 (155.3)	71,4 (152.8)	71,2 (152.3)	69,5 (148.5)	69,0 (147.4)	67,5 (144.1)	66,7 (142.4)
52,0 (170)		71,0 (157.7)	69,2 (153.6)	66,5 (147.7)	64,9 (144.1)	62,1 (137.9)	60,9 (135.4)	60,6 (134.8)	59,0 (131.1)	58,4 (129.9)	56,9 (126.6)	56,2 (124.9)
54,0 (180)		66,3 (142.1)	64,5 (138.1)	61,9 (132.3)	60,2 (128.6)	57,4 (122.5)	56,2 (119.9)	56,0 (119.4)	54,3 (115.6)	53,7 (114.4)	52,2 (111.1)	51,5 (109.3)
58,0 (190)			56,2 (124.3)	53,5 (118.5)	51,9 (114.8)	49,1 (108.7)	47,9 (106.1)	47,7 (105.6)	46,0 (101.8)	45,4 (100.6)	43,9 (97.2)	43,1 (95.5)
60,0 (200)			52,3 (111.7)	49,8 (106.0)	48,1 (102.4)	45,3 (96.3)	44,2 (93.7)	43,9 (93.2)	42,2 (89.3)	41,6 (88.1)	40,1 (84.8)	39,3 (83.0)
64,0 (210)				42,9 (94.7)	41,3 (91.2)	38,5 (85.0)	37,4 (82.5)	37,2 (82.0)	35,4 (78.1)	34,8 (76.9)	33,3 (73.5)	32,5 (71.8)
66,0 (220)				39,8 (84.3)	38,2 (80.9)	35,4 (74.8)	34,3 (72.3)	34,1 (71.8)	32,3 (67.9)	31,8 (66.7)	30,2 (63.3)	29,4 (61.5)
70,0 (230)					32,5 (71.4)	29,8 (65.4)	28,6 (62.9)	28,4 (62.5)	26,7 (58.6)	26,1 (57.4)	24,6 (54.0)	23,8 (52.2)
74,0 (240)					— (62.7)	24,7 (56.8)	23,6 (54.4)	23,4 (53.9)	21,6 (50.0)	21,1 (48.8)	19,5 (45.4)	18,8 (43.7)
76,0 (250)						22,3 (48.8)	21,2 (46.4)	21,0 (46.0)	19,3 (42.1)	18,7 (40.9)	17,2 (37.5)	
78,0 (260)							19,0 (39.1)	18,8 (38.7)				

Meets ANSI B30.5 Requirements - Capacities do not exceed 75% of static tipping load.
NOTICE: This capacity chart is for reference only and must not be used for lifting purposes.

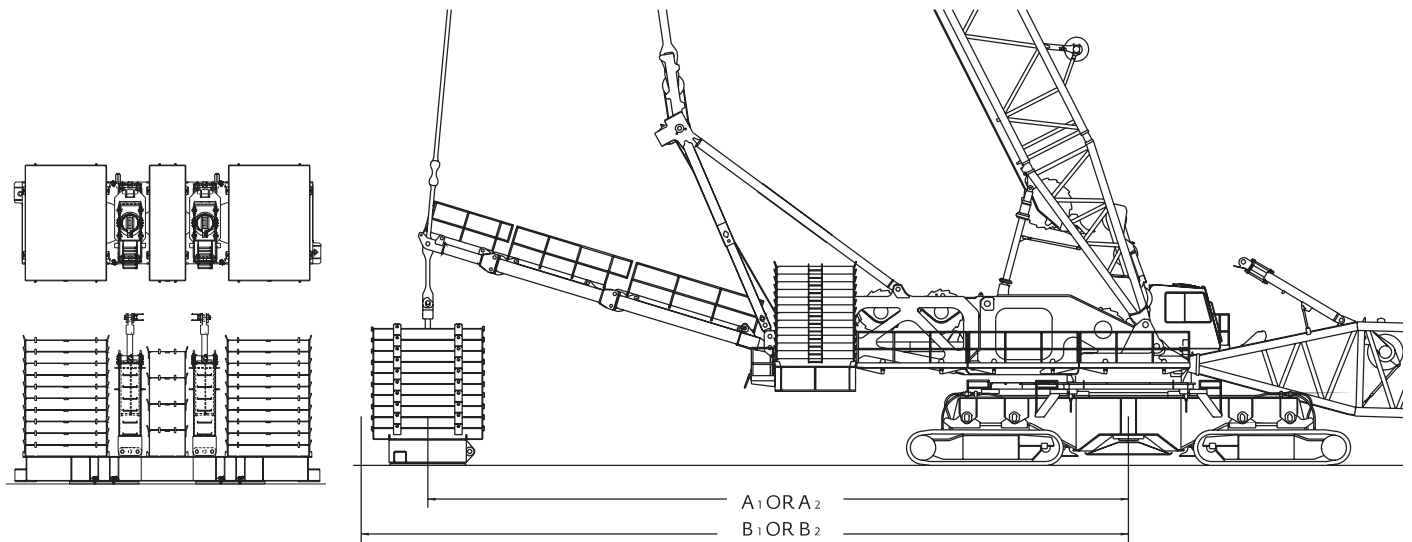
Outline dimensions



WHEELED COUNTERWEIGHT

A₁ = ONE-PIECE SHEAR FRAME 18,0 M (59' 0")
 A₂ = TWO-PIECE SHEAR FRAME 22,0 M (72' 0")

B₁ = ONE-PIECE SHEAR FRAME 20,4 M (67' 0")
 B₂ = TWO-PIECE SHEAR FRAME 24,4 M (80' 0")



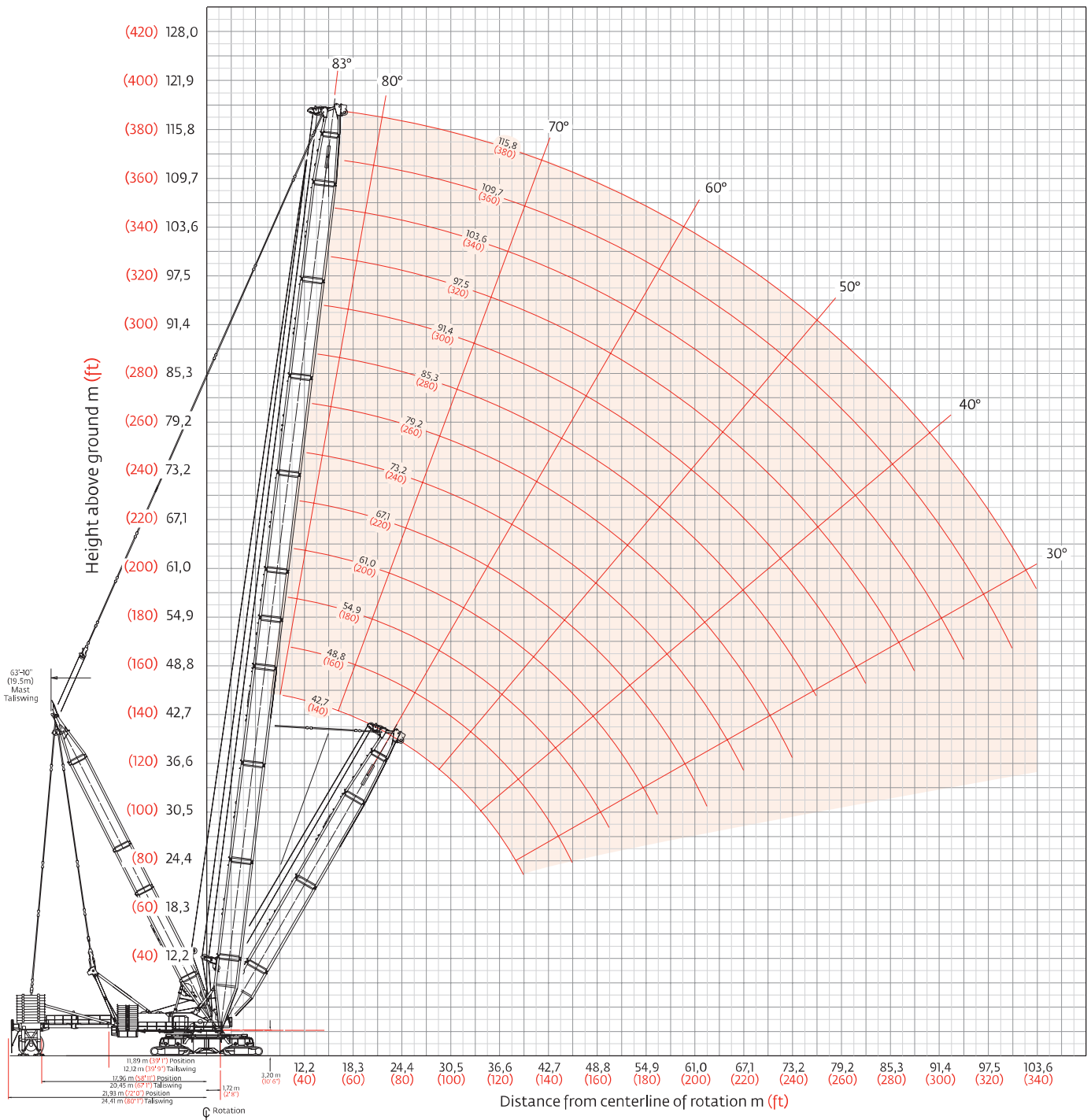
FREE HANGING COUNTERWEIGHT

A₁ = TWO-PIECE SHEAR FRAME 17,9 M (58' 9")
 A₂ = THREE-PIECE SHEAR FRAME 22,1 M (72' 6")

B₁ = TWO-PIECE SHEAR FRAME 20,1 M (66' 0")
 B₂ = THREE-PIECE SHEAR FRAME 24,2 M (79' 6")

Heavy-lift boom range diagram

No. 80 Heavy-lift boom with MAX-ER®



Heavy-lift boom load charts

Liftcrane boom capacities - MAX-ER®												
Boom No. 80 with 42,7 m (140') mast												
Boom m (ft) Radius	208 060 kg (458,700 lb) Counterweight 90 720 kg (200,000 lb) Carbody counterweight 511 330 kg (1,127,300 lb) Hanging counterweight 360° Rating for wide crawler arrangement or narrow crawler arrangement with outriggers kg (lb) x1 000											
	42,7 (140)	48,8 (160)	54,9 (180)	61,0 (200)	67,0 (220)	73,2 (240)	85,3 (280)	91,4 (300)	97,5 (320)	103,6 (340)	109,7 (360)	115,8 (380)
8,5 (28)	907,1 (2000.0)											
9,0 (32)	907,1 (2000.0)	— (2000.0)										
10,0 (36)	907,1 (2000.0)	907,1 (2000.0)	— (1941.3)	— (1863.9)								
12,0 (40)	907,1 (2000.0)	907,1 (2000.0)	880,5 (1941.3)	845,4 (1863.9)	796,7 (1756.5)	— (1641.6)						
14,0 (50)	899,7 (1911.9)	899,2 (1906.6)	877,3 (1903.0)	845,4 (1863.9)	796,2 (1753.7)	742,1 (1628.9)	618,9 (1356.3)	— (1247.8)	— (1103.8)			
18,0 (60)	734,2 (1593.4)	731,8 (1588.2)	730,3 (1584.8)	729,6 (1580.6)	731,4 (1576.3)	718,4 (1573.8)	605,3 (1332.3)	557,2 (1226.4)	500,6 (1103.8)	439,1 (968.1)	386,3 (851.7)	— (753.0)
20,0 (70)	660,2 (1362.8)	657,8 (1357.7)	656,3 (1354.3)	654,4 (1350.0)	652,4 (1345.6)	651,2 (1343.1)	598,1 (1307.8)	550,8 (1204.7)	500,6 (1103.8)	439,1 (968.1)	386,3 (851.7)	341,5 (753.0)
24,0 (80)	547,7 (1188.0)	545,5 (1183.1)	543,9 (1179.7)	541,9 (1175.3)	539,9 (1170.8)	538,7 (1168.2)	536,4 (1160.5)	529,6 (1155.7)	493,5 (1085.2)	439,1 (968.1)	386,3 (851.7)	341,5 (753.0)
26,0 (90)	504,1 (1051.0)	501,9 (1046.1)	500,3 (1042.8)	498,3 (1038.3)	496,3 (1033.7)	495,1 (1031.2)	491,6 (1023.4)	489,4 (1018.5)	486,6 (1021.7)	439,1 (968.1)	386,3 (851.7)	341,5 (753.0)
30,0 (100)	433,8 (940.6)	431,6 (935.8)	430,2 (932.6)	428,1 (928.0)	426,0 (923.4)	424,8 (920.8)	421,3 (913.0)	419,1 (908.1)	420,5 (911.4)	420,7 (906.4)	386,3 (851.7)	341,5 (753.0)
32,0 (110)	405,1 (849.7)	403,0 (845.1)	401,5 (841.9)	399,4 (837.3)	397,3 (832.6)	396,1 (830.0)	392,6 (822.2)	390,4 (817.3)	391,9 (820.6)	389,6 (815.6)	379,4 (812.0)	337,3 (727.7)
36,0 (120)	354,8 (764.4)	354,9 (769.1)	353,4 (766.0)	351,3 (761.3)	349,2 (756.6)	348,0 (754.0)	344,5 (746.2)	342,3 (741.3)	343,8 (744.6)	341,5 (739.6)	339,8 (736.0)	317,8 (694.6)
38,0 (130)	325,6 (667.0)	334,6 (704.5)	333,1 (701.4)	331,0 (696.8)	328,9 (692.1)	327,7 (689.5)	324,1 (681.6)	321,9 (676.7)	323,4 (680.0)	321,2 (675.1)	319,5 (671.4)	308,1 (661.9)
42,0 (140)		298,9 (645.7)	298,2 (645.9)	296,1 (641.3)	293,9 (636.5)	292,7 (633.9)	289,2 (626.1)	286,9 (621.2)	288,5 (624.5)	286,2 (619.5)	284,5 (615.9)	282,5 (610.9)
48,0 (160)			256,2 (554.3)	254,3 (550.5)	252,1 (545.8)	251,0 (543.3)	247,4 (535.4)	245,2 (530.5)	246,7 (533.9)	244,5 (528.9)	242,8 (525.3)	240,5 (520.2)
54,0 (180)				221,4 (478.7)	219,5 (474.8)	218,3 (472.3)	214,8 (464.5)	212,5 (459.6)	214,1 (463.0)	211,8 (458.0)	210,2 (454.4)	207,9 (449.4)
60,0 (200)					192,9 (415.5)	192,0 (415.2)	188,5 (407.5)	186,3 (402.6)	187,9 (406.1)	185,6 (401.1)	184,0 (397.5)	181,7 (392.5)
66,0 (220)						170,1 (365.0)	166,9 (360.5)	164,7 (355.7)	166,3 (359.2)	164,1 (354.3)	162,4 (350.7)	160,2 (345.7)
74,0 (240)							143,4 (321.2)	141,2 (316.4)	142,9 (320.0)	140,6 (315.1)	139,0 (311.6)	136,8 (306.6)
78,0 (260)								131,2 (282.9)	132,9 (286.7)	130,7 (281.8)	129,1 (278.3)	126,8 (273.3)
86,0 (280)									115,6 (257.9)	113,5 (253.1)	111,9 (249.6)	109,6 (244.7)
90,0 (300)										105,9 (228.0)	104,4 (224.7)	99,4 (210.2)
98,0 (320)											91,0 (202.7)	76,3 (171.3)
102,0 (340)												65,2 (133.9)

Meets ANSI B30.5 Requirements - Capacities do not exceed 75% of static tipping load.
 NOTICE: This capacity chart is for reference only and must not be used for lifting purposes.